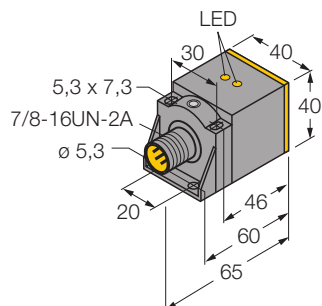
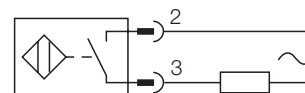


**Inductive sensor  
with extended switching distance  
Ni35U-CK40-ADZ30X2-B1131**



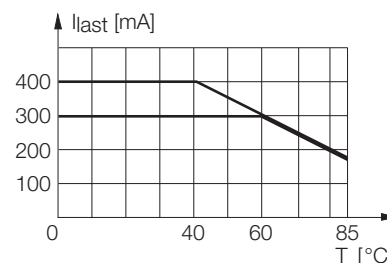
- Rectangular, height 40 mm
- Variable orientation of active face in 5 directions
- Plastic, PBT-GF30-V0
- Mounting only with included fixing clamp BS4-CK40
- factor 1 for all metals
- extended switching distance
- degree of protection IP68
- large detection range
- magnetic field immune
- extended temperature range
- high switching frequency
- AC 2-wire, 20...250 VAC
- 2-wire DC, 10...300 VDC
- normally open
- connector, 7/8"

**Wiring diagram**



**Functional principle**

Inductive sensors are designed for wear-free and non-contact detection of metal objects. Due to a ferrite-less 3-coil system, uprox factor 1 sensors have distinct advantages. They detect all metals at the same switching distance, are magnetic field immune and feature large switching distances.



<b>Type</b>	Ni35U-CK40-ADZ30X2-B1131
Ident-No.	4280410
<b>Rated operating distance Sn</b>	35 mm
Mounting condition	non-flush
Assured sensing range	(0,81 x Sn) mm
Repeatability	2 %
Temperature drift	± 10 %
	± 20 %, -25 °C v ≥ +70 °C
Hysteresis	3... 15 %
Ambient temperature	-30...+ 85 °C
<b>Operating voltage</b>	20... 250VAC
Operating voltage	10... 300VDC
AC rated operational current	400 mA
DC rated operational current	300 mA
Frequency	50... 60 Hz
Residual current	1.7 mA
Rated insulation voltage	1.5 kV
Surge current	3 A ( 20 ms max. 5 Hz)
Short-circuit protection	yes / latching
Voltage drop at I <sub>e</sub>	6V
Wire breakage / Reverse polarity protection	yes / complete
Output function	2-wire, normally open
Smallest operating current I <sub>m</sub>	≥ 3 mA
Insulation class	
Switching frequency	0.06 kHz
<b>Housing</b>	rectangular, CK40
Dimensions	65 x 40 x 40 mm variable orientation of active face in 5 directions
Housing material	plastic, PBT-GF20-V0, black
Material active face	plastic, PA6-GF30-X, yellow
Connection	connectors, 7/8"
Vibration resistance	55 Hz (1 mm)
Shock resistance	30g (11 ms)
Degree of protection	IP68

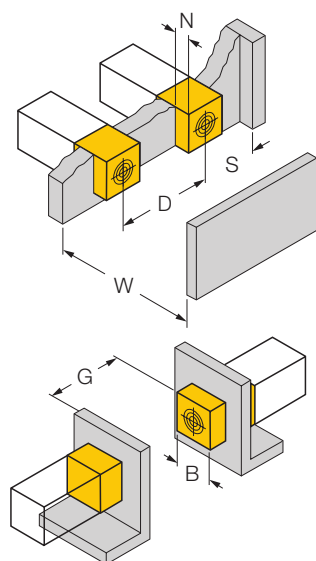
<b>Operating voltage display</b>	LED green
Display switch state	LED yellow
Included in scope of supply	BS4-CK40

**Inductive sensor  
with extended switching distance  
Ni35U-CK40-ADZ30X2-B1131****Mounting instructions**

	minimum distances
Distance D	6 x B
Distance W	3 x Sn
Distance S	1,5 x B
Distance G	6 x Sn
Distance N	30 mm

**Width of the active face B**

40 mm



**Accessories**

Type code	Ident-No.	Short text	Dimension drawing
BSS-CP40	6901318	fixing clamp; material: polypropylene	