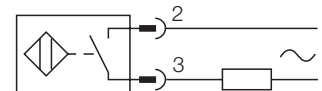


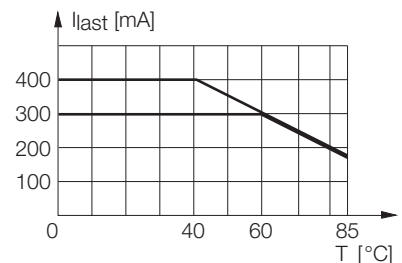
- Rectangular, height 40 mm
- Variable orientation of active face in 5 directions
- Plastic, PBT-GF30-V0
- Mounting only with included fixing clamp BS4-CK40
- factor 1 for all metals
- degree of protection IP68
- magnetic field immune
- extended temperature range
- high switching frequency
- AC 2-wire, 20...250 VAC
- 2-wire DC, 10...300 VDC
- normally open
- connector, 7/8"

Wiring diagram



Functional principle

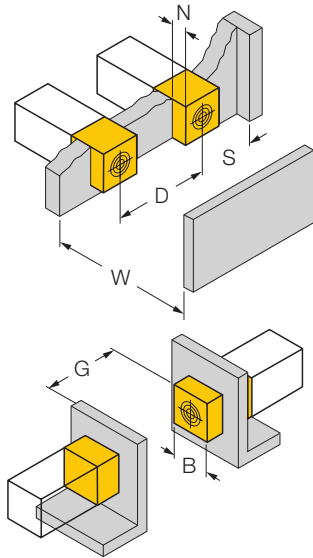
Inductive sensors are designed for wear-free and non-contact detection of metal objects. Due to a ferrite-less 3-coil system, uprox factor 1 sensors have distinct advantages. They detect all metals at the same switching distance, are magnetic field immune and feature large switching distances.



Type	Ni25U-CK40-ADZ30X2-B1131
Ident-No.	4280210
Rated operating distance Sn	25 mm
Mounting condition	non-flush
Assured sensing range	(0,81 x Sn) mm
Repeatability	2 %
Temperature drift	± 10 %
	± 15 %, -25 °C v ≥ +70 °C
Hysteresis	3... 15 %
Ambient temperature	-30...+ 85 °C
Operating voltage	20... 250VAC
Operating voltage	10... 300VDC
AC rated operational current	400 mA
DC rated operational current	300 mA
Frequency	50... 60 Hz
Residual current	1.7 mA
Rated insulation voltage	1.5 kV
Surge current	3 A (20 ms max. 5 Hz)
Short-circuit protection	yes / latching
Voltage drop at I _e	6V
Wire breakage / Reverse polarity protection	yes / complete
Output function	2-wire, normally open
Smallest operating current I _m	≥ 3 mA
Insulation class	
Switching frequency	0.06 kHz
Housing	rectangular, CK40
Dimensions	65 x 40 x 40 mm variable orientation of active face in 5 directions
Housing material	plastic, PBT-GF20-V0, black
Material active face	plastic, PA6-GF30-X, yellow
Connection	connectors, 7/8"
Vibration resistance	55 Hz (1 mm)
Shock resistance	30g (11 ms)
Degree of protection	IP68
Operating voltage display	LED green
Display switch state	LED yellow
Included in scope of supply	BS4-CK40

Mounting instructions	minimum distances
Distance D	3 x B
Distance W	3 x Sn
Distance S	1,5 x B
Distance G	6 x Sn
Distance N	1 x B

Width of the active face B 40 mm



Accessories

Type code	Ident-No.	Short text	Dimension drawing
BSS-CP40	6901318	fixing clamp; material: polypropylene	