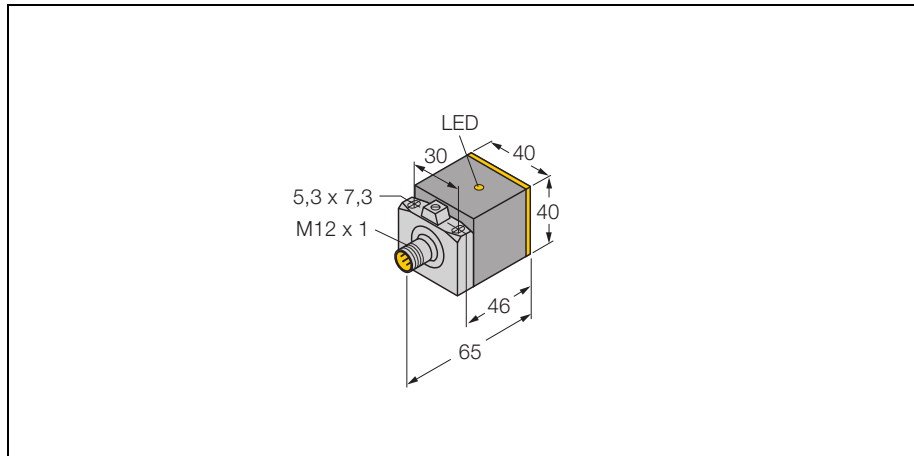
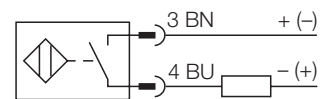


**Inductive sensor**  
**Bi15-CK40-AD4X-H1141**



- Rectangular, height 40 mm
- Variable orientation of active face in 5 directions
- Plastic, PBT-GF30-V0
- 2-wire DC, 10...65 VDC
- normally open
- connector M12 x 1

**Wiring diagram**



**Functional principle**

Inductive sensors are designed for wear-free and non-contact detection of metal objects. For this purpose they use a high-frequency electro-magnetic AC field that interacts with the target. Concerning inductive sensors, this field is generated by an LC resonant circuit with a ferrite core coil.

<b>Type</b>	Bi15-CK40-AD4X-H1141
Ident-No.	44650
<b>Rated operating distance Sn</b>	15 mm
Mounting condition	flush
Assured sensing range	(0,81 x Sn) mm
Correction factors	St37 = 1, V2A ~ 0.7, Ms ~ 0.4, Al ~ 0.3
Repeatability	2 %
Temperature drift	± 10 %
Hysteresis	1... 15 %
Ambient temperature	-25...+ 70 °C
<b>Operating voltage</b>	10... 65VDC
Residual ripple	10 % U <sub>SS</sub>
DC rated operational current	100 mA
Residual current	0.6 mA
Rated insulation voltage	0.5 kV
Short-circuit protection	yes / cyclic
Voltage drop at I <sub>e</sub>	5V
Output function	2-wire, normally open
Smallest operating current I <sub>m</sub>	≥ 3 mA
Switching frequency	0.15 kHz
<b>Housing</b>	rectangular, CK40
Dimensions	65 x 40 x 40 mm variable orientation of active face in 5 directions
Housing material	plastic, PBT-GF20-V0, black
Material active face	plastic, PA6-GF30-X, yellow
Connection	connectors, M12 x 1
Vibration resistance	55 Hz (1 mm)
Shock resistance	30g (11 ms)
Degree of protection	IP67
<b>Display switch state</b>	LED yellow
Included in scope of supply	BS1-CK40

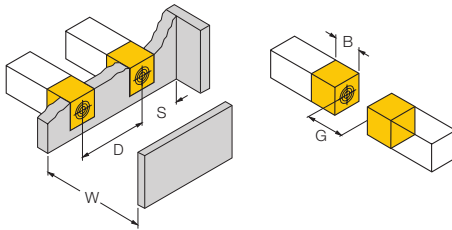
## Inductive sensor Bi15-CK40-AD4X-H1141

---

Mounting instructions	minimum distances
Distance D	2 x B
Distance W	3 x Sn
Distance S	1 x B
Distance G	6 x Sn

---

<b>Width of the active face B</b>	40 mm
-----------------------------------	-------



# Inductive sensor Bi15-CK40-AD4X-H1141

**TURCK**

Industrial  
Automation

## Accessories

Type code	Ident-No.	Short text	Dimension drawing
BSS-CP40	6901318	fixing clamp; material: polypropylene	