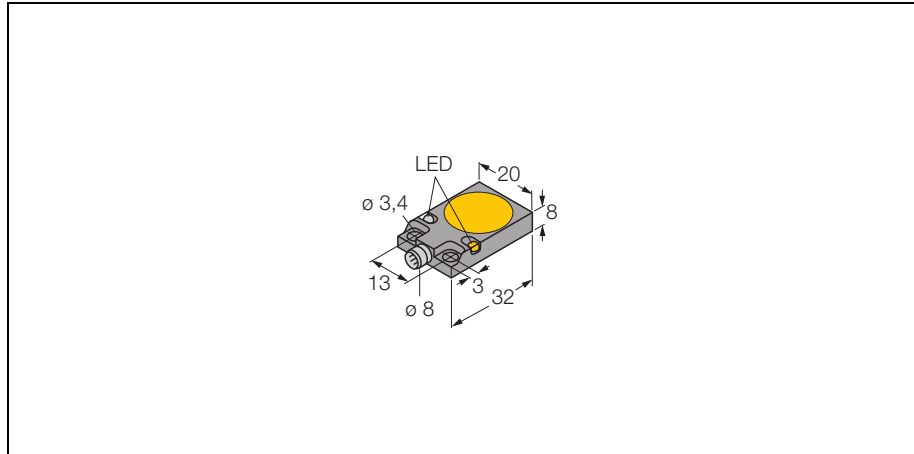
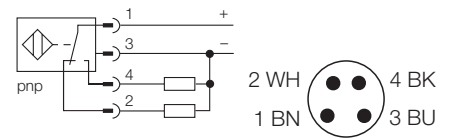


**Inductive sensor
with extended switching distance
Bi7-Q08-VP6X2-V1141**



- Rectangular, height 8mm
- top active face
- metal, GD-Zn
- connector with snap-lock
- large detection range
- 4-wire DC, 10...30 VDC
- change-over, pnp output
- flange connector, Ø 8 mm

Wiring diagram



Functional principle

Inductive sensors are designed for wear-free and non-contact detection of metal objects. For this purpose they use a high-frequency electro-magnetic AC field that interacts with the target. With inductive sensors, this field is generated by an LC resonant circuit with a ferrite core coil.

Type	Bi7-Q08-VP6X2-V1141
Ident-No.	1600902
Rated operating distance Sn	7 mm
Mounting condition	flush
Assured sensing range	(0,81 x Sn) mm
Correction factors	St37 = 1, V2A ~ 0.7, Ms ~ 0.4, Al ~ 0.3
Repeatability	2 %
Temperature drift	± 10 %
Hysteresis	3... 15 %
Ambient temperature	-25...+ 70 °C
Operating voltage	10... 30VDC
Residual ripple	10 % U _{SS}
DC rated operational current	200 mA
No-load current I ₀	15 mA
Residual current	0.1 mA
Rated insulation voltage	0.5 kV
Short-circuit protection	yes / cyclic
Voltage drop at I _e	1.8V
Wire breakage / Reverse polarity protection	yes / complete
Output function	4-wire, change-over, pnp
Switching frequency	0.5 kHz
Housing	rectangular, Q08
Dimensions	32 x 20 x 8 mm
Housing material	metal, GD-Zn
Material active face	plastic, PA12-GF30, yellow
Connection	connectors, flange connector, Ø 8 mm
Vibration resistance	55 Hz (1 mm)
Shock resistance	30g (11 ms)
Degree of protection	IP67
Operating voltage display	LED green
Display switch state	LED yellow

**Inductive sensor
with extended switching distance
Bi7-Q08-VP6X2-V1141**

Mounting instructions	minimum distances
Distance D	2 x B
Distance W	3 x Sn
Distance S	1 x B
Distance G	6 x Sn

Width of the active face B	20 mm
-----------------------------------	-------

