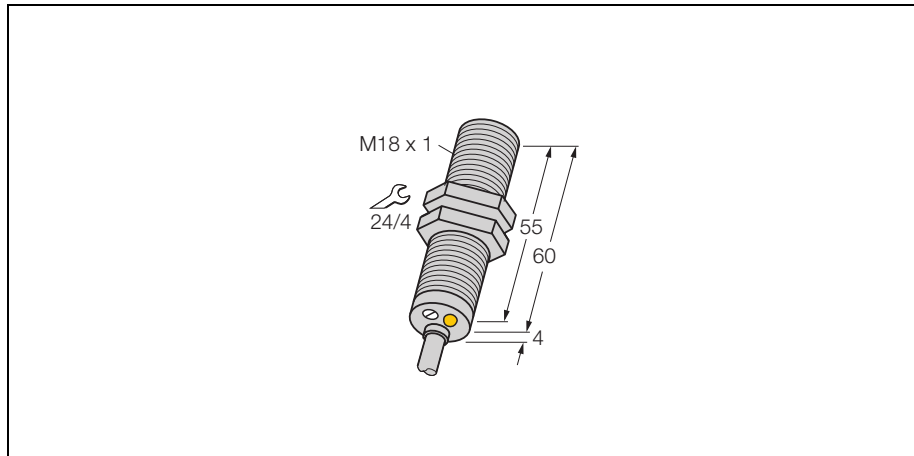
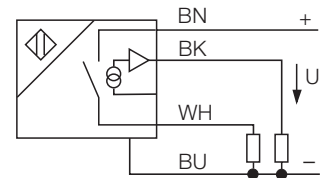


**Inductive sensor
with analogue and switching output
Bi8-M18-LUAP6X**



- Threaded barrel, M18 x 1
- Chrome-plated brass
- analogue +
- extended sensing range
- 4-wire, 15...30 VDC
- normally open, pnp output
- analogue output
- 0...10 V
- cable connection

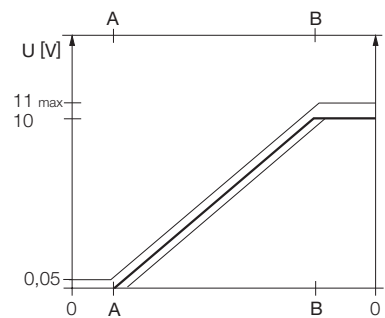
Wiring diagram



Functional principle

Simple control tasks can be accomplished with inductive TURCK sensors featuring an analogue output. They provide a current, voltage or frequency signal that is proportional to the target's distance. With TURCK's analogue sensors, this output signal is linear to the distance of the target over the entire sensing range.

Measuring range

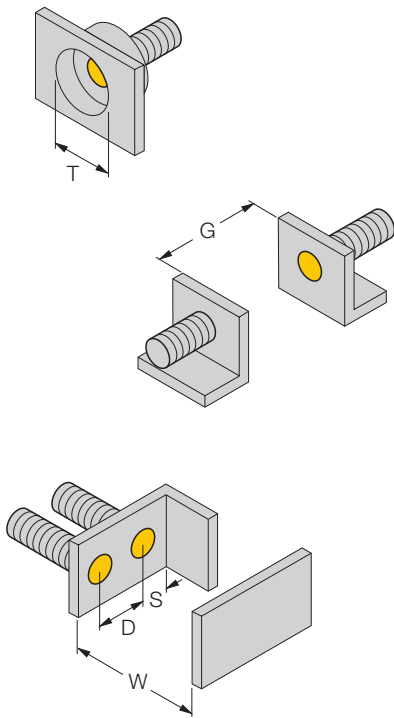


Type	Bi8-M18-LUAP6X
Ident-No.	4615010
Measuring range [A...B]	1... 5 mm switch point adjustable via potentiometer flush
Mounting condition	
Correction factors	St37 = 1, V2A ~ 0.7, Ms ~ 0.4, Al ~ 0.3
Repeatability	1 % of measuring range A - B 0.5 %, after a warm-up time of 0.5 h
Reproducibility	40µm 20µm, after a warm-up time of 0.5 h
Linearity deviation	5% of full scale
Temperature drift	± 0.06 %/K
Hysteresis	3... 15 %
Ambient temperature	-25...+ 70 °C
Operating voltage	15... 30VDC
Residual ripple	10 % U _{SS}
DC rated operational current	200 mA
No-load current I ₀	8 mA
Rated insulation voltage	0.5 kV
Short-circuit protection	yes
Wire breakage / Reverse polarity protection	yes / complete
Output function	4-wire, normally open, PNP/analogue output
voltage output	0... 10 V
Load resistance voltage output	≥ 4.7 kΩ
Measuring sequence frequency	200 Hz
Output recovery time	12 ms
Housing	threaded barrel, M18 x 1
Dimensions	54 mm
Housing material	metal, CuZn, chrome-plated
Material active face	plastic, PA12-GF30
End cap	plastic, EPTR
Tightening torque of housing nut	25 Nm
Connection	cable
Cable quality	Ø 5.2, LiYY, PVC, 2 m
Cable cross section:	4 x 0.34mm ²
Vibration resistance	55 Hz (1 mm)
Shock resistance	30g (11 ms)
Degree of protection	IP67
Display switch state	LED yellow

**Inductive sensor
with analogue and switching output
Bi8-M18-LUAP6X**

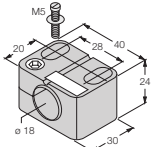
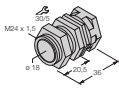
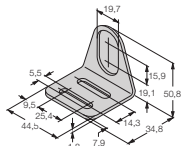
Mounting instructions	minimum distances
Distance D	2 x B
Distance W	3 x Sn
Distance T	3 x B
Distance S	1,5 x B
Distance G	6 x Sn

Diameter of the active area B	Ø 18 mm
--------------------------------------	---------



**Inductive sensor
with analogue and switching output
Bi8-M18-LUAP6X**

Accessories

Type code	Ident-No.	Short text	Dimension drawing
BST-18B	6947214	fixing clamp with dead-stop; material: PA6	
QM-18	6945102	quick-mount fixing clamp with dead-stop; material: chrome-plated brass male thread M24 x 1.5. Note: The switching distance of proximity switches can be reduced by the use of quick mounting brackets.	
MW-18	6945004	mounting bracket; material: stainless steel A2 1.4301 (AISI 304)	
BSS-18	6901320	fixing clamp; material: polypropylene	