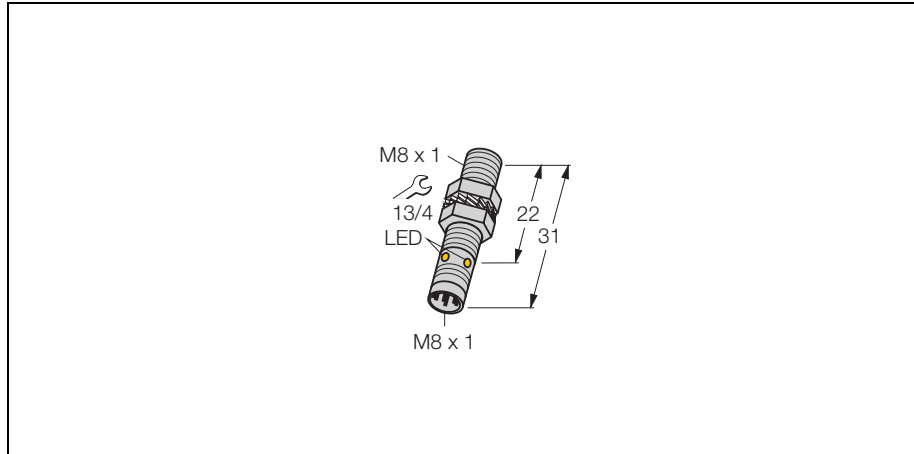
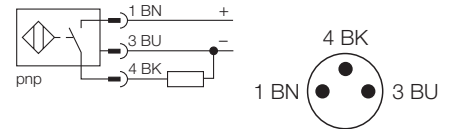


Inductive sensor
Bi1,5-EG08K-AP6X-V1131



- threaded barrel, M8 x 1
- stainless steel, 1.4404
- 3-wire DC, 10...30 VDC
- normally open, pnp output
- connector, M8 x 1

Wiring diagram



| | |
|---|---|
| Type | Bi1,5-EG08K-AP6X-V1131 |
| Ident-No. | 4672440 |
| Rated operating distance Sn | 1.5 mm |
| Mounting condition | flush |
| Assured sensing range | (0,81 x Sn) mm |
| Correction factors | St37 = 1, V2A ~ 0.7, Ms ~ 0.4, Al ~ 0.3 |
| Repeatability | 2 % |
| Temperature drift | ± 10 % |
| Hysteresis | 3... 15 % |
| Ambient temperature | -25...+ 70 °C |
| Operating voltage | 10... 30VDC |
| Residual ripple | 10 % U _{SS} |
| DC rated operational current | 150 mA |
| No-load current I ₀ | 15 mA |
| Residual current | 0.1 mA |
| Rated insulation voltage | 0.5 kV |
| Short-circuit protection | yes / cyclic |
| Voltage drop at I _e | 1.8V |
| Wire breakage / Reverse polarity protection | yes / complete |
| Output function | 3-wire, normally open, pnp |
| Switching frequency | 3 kHz |
| Housing | threaded barrel, M8 x 1 |
| Dimensions | 31 mm |
| Housing material | metal, AISI 316L |
| Material active face | plastic, plastic, PA12-GF20 |
| Tightening torque of housing nut | 10 Nm |
| Connection | connectors, M8 x 1 |
| Vibration resistance | 55 Hz (1 mm) |
| Shock resistance | 30g (11 ms) |
| Degree of protection | IP67 |
| Display switch state | LED yellow |

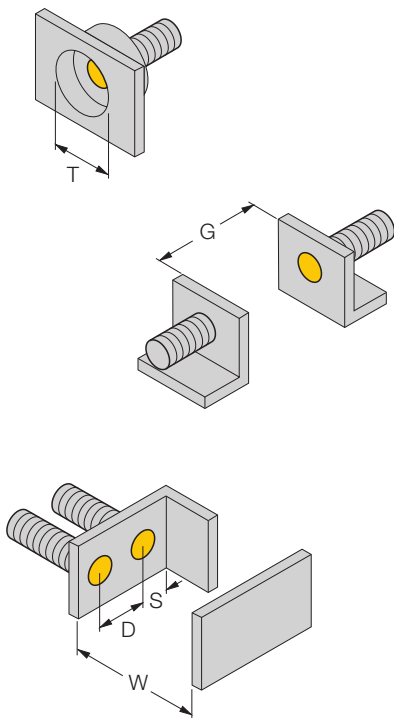
Functional principle

Inductive sensors are designed for wear-free and non-contact detection of metal objects. For this purpose they use a high-frequency electro-magnetic AC field that interacts with the target. Concerning inductive sensors, this field is generated by an LC resonant circuit with a ferrite core coil.

Inductive sensor
Bi1,5-EG08K-AP6X-V1131

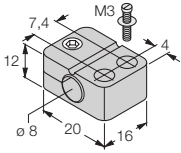
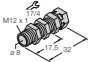
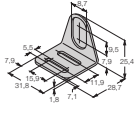
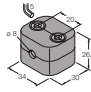
| Mounting instructions | minimum distances |
|-----------------------|-------------------|
| Distance D | 2 x B |
| Distance W | 3 x Sn |
| Distance T | 3 x B |
| Distance S | 1,5 x B |
| Distance G | 6 x Sn |

Diameter of the active area B Ø 8 mm



Inductive sensor
Bi1,5-EG08K-AP6X-V1131

Accessories

| Type code | Ident-No. | Short text | Dimension drawing |
|-----------|-----------|--|---|
| BST-08B | 6947210 | fixing clamp with dead-stop; material: PA6 |  |
| QM-08 | 6945100 | quick-mount fixing clamp with dead-stop; material: chrome-plated brass male thread M12 x 1. Note: The switching distance of proximity switches can be reduced by the use of quick mounting brackets. |  |
| MW-08 | 6945008 | mounting bracket; material: stainless steel A2 1.4301 (AISI 304) |  |
| BSS-08 | 6901322 | fixing clamp; material: polypropylene |  |