

cyl. D 3  
 Sn = 1 mm  
 DC 3-Wire  
 shielded

**Common Data**

Mounting		shielded
Rated operating distance Sn	mm	1,0
Assured operating distance Sa	mm	0...0,8
Repeatability	%	<= 5
Hysteresis	%	<= 15
Function indication		yes
Ambient temperature range	°C	-25...+70
Polution Degree		3
IEC-Code		I1B03AP2
Time delay before availability	ms	<= 10

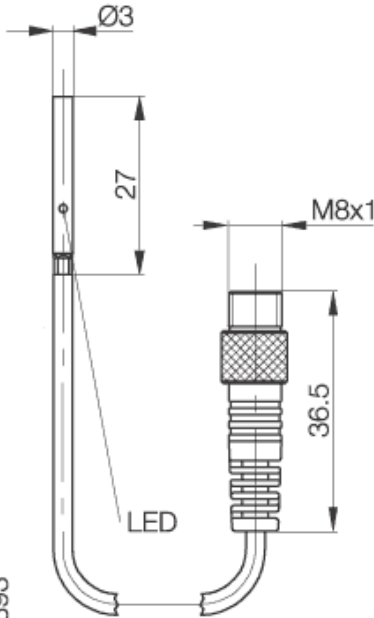
**Mechanical Data**

Housing size	mm	cyl. D 3
Measurements BxHxT or DxT	mm	D3 x 27
Housing material		stainless steel
Material of sensing face		POM
Degree of protection		IP67
Connection		Cable with connector

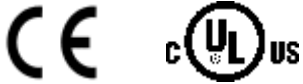
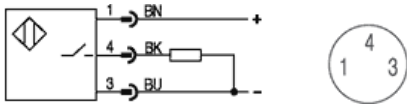
**Electrical Data**

Current type		DC
Wiring		3-Wire
switching function		normally-open
Output signal		PNP
Rated operational voltage	V	24 DC
Rated operational current	mA	100
Supply voltage	V	10...30 DC
Ripple	%	<= 10
Rated supply frequency	Hz	2000
Minimum operational current	mA	0
No-load supply current	mA	<= 12/9
Off-state current	µA	<= 50
Voltage drop	V	<= 1.5/-
Short circuit protection		yes
Protected against polarity reversal		yes

16.12.2005 / Online-Information



PX1893



Utilization categories DC 13

Further information:  
 ■ Hinweis EMV Schutzbeschaltung

If not differently indicated,  
 all values by IEC 60947-5-2 (DIN EN60947-5-2)  
 Specifications subject to change  
 Balluff GmbH  
 Postfach 1160  
 73761 Neuhausen  
 Telefon (07158) 173-0  
 Telefax (07158) 5010