

Opto Proximity Switches

SIMATIC PXO500

C40 form

Overview

Cubic molded plastic enclosure, IP67, wired with M12 connector

Diffuse sensor; energetic sensor

- Sensing range 70 cm (adjustable via "teach-in")

Diffuse sensor with background suppression

- Sensing range 5 to 25 cm (adjustable via "teach-in")

Retroreflective sensor

- Sensing range 6 m (adjustable via "teach-in")

Retroreflective sensor for transparent objects

- Sensing range 1 m (adjustable via "teach-in")


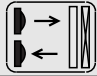
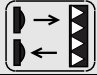
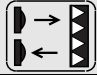
Rated operating voltage 24 V DC

Solid-state output pnp or npn


Supplied with mounting bracket, without reflector

External "teach-in"


Technical specifications

Operating mode		Diffuse sensor	Diffuse sensor with background suppression
			
Sensing range	cm	70 (adjustable)	5 ... 25 (adjustable)
Standard target	mm	200 x 200 (weiß)	100 x 100 (grau)
Operating voltage range (DC)	V	10 ... 30	
No-load current I_0 , max.	mA	35	25
Rated operational current I_e	mA	200	250
Switching frequency	Hz	1000	200
Switching time	ms	0.5	2.5
Wavelength (illuminant)	nm	660 (rot)	
Indicators			
• Switching status		Yellow LED	
• Surplus light		Green LED	
Enclosure material		Molded plastic (PBTP)	
Degree of protection		IP67	
Ambient temperature	°C	-25 ... +55	
Temperature coefficient	%/K	0.1	
Type		3RG72 40-...00	3RG72 44-...00
Operating mode		Retroreflective sensor with polarization filter	Retroreflective sensor for transparent objects
			
Sensing range	cm	600 (adjustable)	100 (adjustable)
Standard target	mm	Reflector type D 84	Reflector type D 84
Operating voltage range (DC)	V	10 ... 30	
No-load current I_0 , max.	mA	35	
Rated operational current I_e	mA	200	
Switching frequency	Hz	1000	
Switching time	ms	0.5	
Wavelength (illuminant)	nm	660 (red, polarized)	
Indicators			
• Switching status		Yellow LED	
• Surplus light		Green LED	
Enclosure material		Molded plastic (ABS)	
Degree of protection		IP67	
Ambient temperature	°C	-25 ... +55	
Temperature coefficient	%/K	0.1	
Type		3RG72 41-...00	3RG72 41-...52

Selection and Ordering data

	Operating mode	Sensing range	Illuminant		Wiring	Switching output	Ckt. diag. No.	Order No.
			cm	nm				
	Diffuse sensor	70 (adjustable via "teach-in")	660 (red)		M12 plug, 4-pole, type F	pnp, light-ON or dark-ON	16	3RG72 40-3CH00
						npn, light-ON or dark-ON	16	3RG72 40-3HH00
	Diffuse sensor with background suppression	5 ... 25 (adjustable via "teach-in")	660 (red)		M12 plug, 4-pole, type F	pnp, light-ON or dark-ON	16	3RG72 44-3CH00
						npn, light-ON or dark-ON	16	3RG72 44-3HH00
Retroreflective sensor with polarization filter	600 (adjustable via "teach-in")	660 (red, polarized)		M12 plug, 4-pole, type F	pnp, light-ON or dark-ON	16	3RG72 41-3CH00	
					npn, light-ON or dark-ON	16	3RG72 41-3HH00	
Retroreflective sensor for transparent objects	100 (adjustable via "teach-in")	660 (red, polarized)		M12 plug, 4-pole, type F	pnp, light-ON or dark-ON	16	3RG72 41-3CH52	
					npn, light-ON or dark-ON	16	3RG72 41-3HH52	

Communication-capable proximity switches with C40 IQ-Sense design

	Diffuse sensor	70	660 (red)	for connection to the 4 IQ-Sense sensor module	IQ-Sense	9	3SF72 40-3JQ00
	Retroreflective sensor	600	660 (red)	for connection to the 4 IQ-Sense sensor module	IQ-Sense	9	3SF72 41-3JQ00

Dimensions

3RG72 4.-3....

