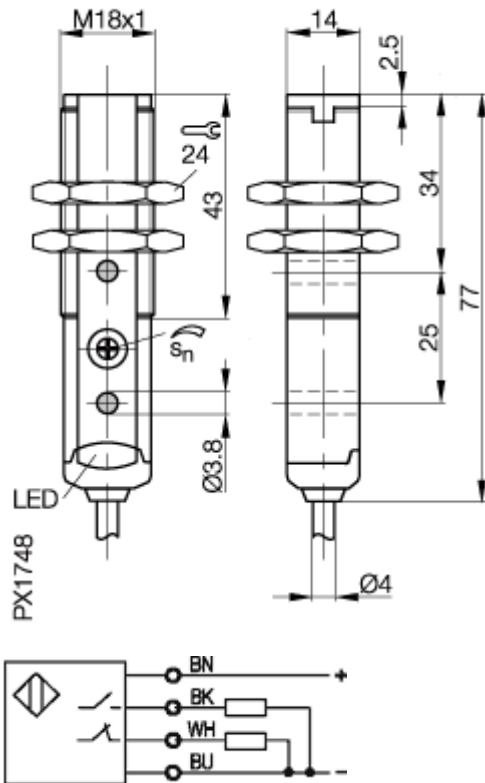


Diffuse
M18x1
Sn = 700 mm



Common Data

Sensortype	Diffuse
Switching frequency	1 kHz
Rated operating distance Sn	mm 700
Assured operating distance Sa	mm 0...600mm
Indication switching element	LED yellow
Indication special function	LED green Stability Indicator
Ambient temperature	°C -25...+55°C
On/Off-delay	0,5ms
Light	Infrared
Sensitivity adjustment	Potl 270°
Light spot diameter	approx.40mm at 600mm

Mechanical Data

Measurements BxHxT or DxT	mm	M18x77
Shock test (EN 60068-2-27)		Halfsinus, 30gn, 11ms
Vibration test (EN 60068-2-6)		10...55Hz, 1,5mm Amplitude 3x2h
Housing material		PBT
Material of sensing face		PMMA
Degree of protection	IP	IP67
Connection		Cable, 2m
Weight		75g
Type of cable		PVC, 4x0,14mm ²

Electric Data

Current	DC
Switching function	normally-open/normally-closed
Output	PNP
Rated operational voltage Ue	V 24V DC
Rated operational current Ie	mA 100mA
Supply voltage	V 10-30V
Ripple	% < 10% from UB
No-load supply current	mA < 35
Voltage drop	V < 2
Short protection	yes
Protectde against polarity rev	yes

Approvals



Utilization categories DC13

If not differently indicated,
all values by IEC 947-5-2 (DIN EN60947-5-2)

Sensing distance measured with :
Kodak white card 200mm x 200mm, 90% reflection
Specifications subject to change

Balluff GmbH
Postfach 1160
73761 Neuhausen
Telefon (07158) 173-0
Telefax (07158) 5010

21.01.2004 / Online-Information