

cyl. M12
Sn = 2 mm
DC 3-Wire
shielded

Common Data

Mounting		shielded
Rated operating distance Sn	mm	2,0
Assured operating distance Sa	mm	0...1.6
Repeatability	%	<= 5
Hysteresis	%	<= 15
Ambient temperature range	°C	-25...+120
Polution Degree		3
IEC-Code		I1A12AP1
Time delay before availability	ms	<= 10
Particular characteristics		pressure rated to 3 bar, temperature rated

Mechanical Data

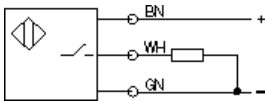
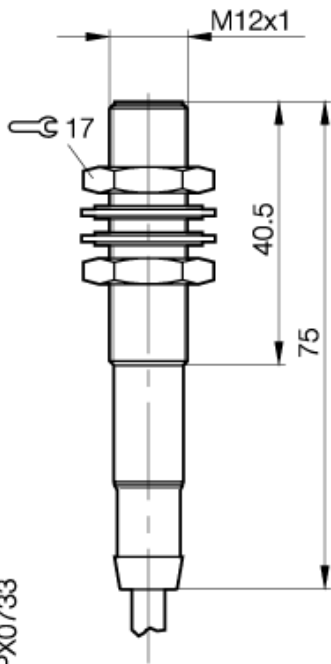
Housing size	mm	cyl. M12
Measurements BxHxT or DxT	mm	M12x1 x 75
Housing material		nickel plated brass
Material of sensing face		PAI
Degree of protection		IP68 acc. BWN Pr 20
Connection		Cable
Cable type		SI-SL-O

Electrical Data

Current type		DC
Wiring		3-Wire
switching function		normally-open
Output signal		PNP
Rated operational voltage	V	24 DC
Rated operational current	mA	200
Supply voltage	V	10...30 DC
Ripple	%	<= 15
Rated supply frequency	Hz	1000
No-load supply current	mA	<= 25/<= 12
Off-state current	µA	<= 80
Voltage drop	V	<= 1.8/-
Short circuit protection		no
Protected against polarity reversal		yes

EMV

ESD/RFI/Burst/IVW
Emission
24.02.2004 / Online-Information



Utilization categories DC 13

If not differently indicated,
all values by IEC 60947-5-2 (DIN EN60947-5-2)
Specifications subject to change
Balluff GmbH
Postfach 1160
73761 Neuhausen
Telefon (07158) 173-0
Telefax (07158) 5010

