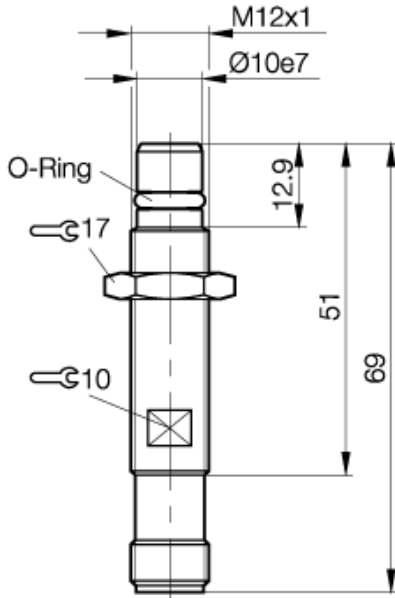


cyl. M12
Sn = 1,5 mm
DC 3-Wire
shielded

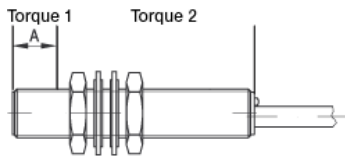


PX0408



Utilization categories DC 13

■ Tightening torque:



Torque 1 Nm 25

If only torque1 is indicated, this applies to entire thread

If not differently indicated, all values by IEC 60947-5-2 (DIN EN60947-5-2) Specifications subject to change

Balluff GmbH
Postfach 1160
73761 Neuhausen
Telefon (07158) 173-0
Telefax (07158) 5010

Common Data

Mounting		shielded
Rated operating distance Sn	mm	1,5
Assured operating distance Sa	mm	0...1.2
Repeatability	%	<= 5
Hysteresis	%	<= 15
Ambient temperature range	°C	-25...+80
Polution Degree		3
IEC-Code		I 1A12AP2
Time delay before availability	ms	<= 50
Particular characteristics		pressure rated to 100 bar

Mechanical Data

Housing size	mm	cyl. M12
Measurements BxHxT or DxT	mm	M12x1 x 69
Housing material		1.4104
Material of sensing face		EP (Duroplast)
Degree of protection		IP68 acc. BWN Pr 20
Connection		Connector S4

Electrical Data

Current type		DC
Wiring		3-Wire
switching function		normally-open
Output signal		PNP
Rated operational voltage	V	24 DC
Rated operational current	mA	200
Supply voltage	V	10...30 DC
Ripple	%	<= 15
Rated supply frequency	Hz	2000
Minimum operational current	mA	-
No-load supply current	mA	<= 8 / <= 3
Off-state current	µA	<= 10
Voltage drop	V	<= 2/-
Short circuit protection		yes
Protected against polarity reversal		yes

EMV

ESD/RFI/Burst/IVW	4/3/4/3
Emission	Gr.1, Kl.B

04.05.2005 / Online-Information

