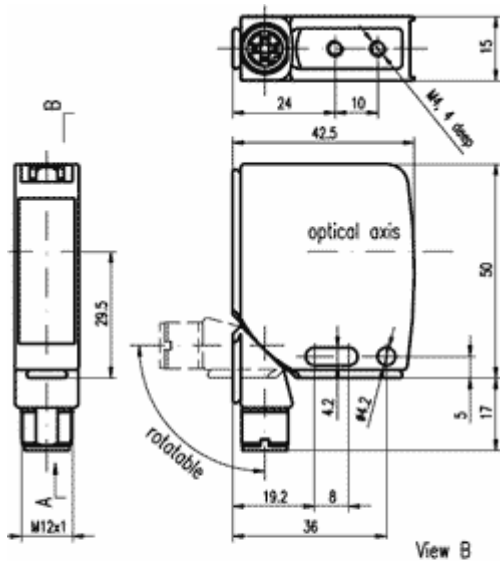
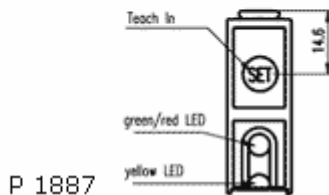


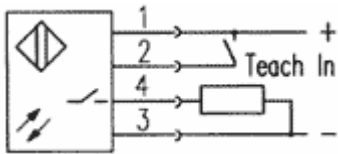
Contrast tester
50x42x15
Sn = 21 mm



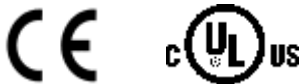
P 1883



P 1887



Approvals



If not differently indicated,
all values by IEC 947-5-2 (DIN EN60947-5-2)

Specifications subject to change

Balluff GmbH
Postfach 1160
73761 Neuhausen
Telefon (07158) 173-0
Telefax (07158) 5010

Common Data

Sensortype	Contrast tester
Switching frequency	5000 Hz
Rated operating distance Sn	mm 21
asured operating distance Sa	mm 17...21
Repeat accuracy	< 2%
Hysteresis	< 20%
Indication supply voltage	no
Indication switching element	yes, yellow LED
Indication special function	Stability indication green LED, Error indication red/green LED
Ambient temperature	°C -10...+55°C
On/Off-delay	< 0,1ms
Light	white light
Sensitivity adjustment	SET-button or teach-in input
Permissible ambient light	lux 10000

Mechanical Data

Measurements BxHxT or DxT	mm 50x42,5x15
Shock test (EN 60068-2-27)	Halfsinus, 30gn, 11ms
Vibration test (EN 60068-2-6)	55Hz, 1mm Amplitude 3x30Min
Housing material	GD-Zn, nickel plated
Material of sensing face	PMMA
Degree of protection	IP IP67
Connection	Connector M12x1, 4 pin
Weight	80g

Electric Data

Current	DC
Switching function	normally-open
Output	PNP
Rated operational voltage Ue	V 24V DC
Rated operational current Ie	mA <100mA
Supply voltage	V 10-30V DC
Ripple	% < 15% from UB
No-load supply current	mA <30
Voltage drop	V <2V
Short protection	yes
Protectde against polarity rev	yes
Rated insulation voltage	75VDC
max. load capacity	<1000nF

03.12.2004 / Online-Information