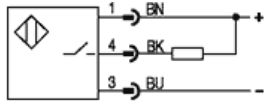
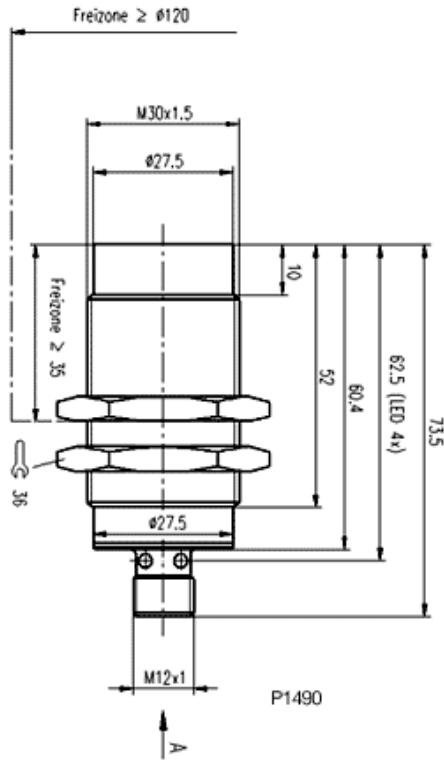


cyl. M30  
Sn = 40 mm  
DC 3-Wire  
unshielded  
sn: 3fach

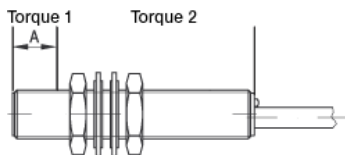


Utilization categories DC 13

Further information:

■ Hinweis EMV Schutzbeschaltung

■ Tightening torque:



Torque 1 Nm 70

If only torque1 is indicated, this applies to entire thread

If not differently indicated, all values by IEC 60947-5-2 (DIN EN60947-5-2) Specifications subject to change

### Common Data

Mounting		unshielded
Rated operating distance Sn	mm	40,0
Assured operating distance Sa	mm	0...32
Repeatability	%	<= 5
Hysteresis	%	≤ 10
Function indication		yes
Ambient temperature range	°C	-25...+70
Polution Degree		3
IEC-Code		2A30AN2
Time delay before availability	ms	≤ 300

### Mechanical Data

Housing size	mm	cyl. M30
Measurements BxHxT or DxT	mm	M30x1.5 x 73.5
Housing material		CuZn chrome plated
Material of sensing face		PBTP
Degree of protection		IP54
Connection		Connector S4

### Electrical Data

Current type		DC
Wiring		3-Wire
switching function		normally-open
Output signal		NPN
Rated operational voltage	V	24 DC
Rated operational current	mA	200
Supply voltage	V	10...30 DC
Ripple	%	≤ 20
Rated supply frequency	Hz	100
No-load supply current	mA	<= 10
Off-state current	µA	<= 100
Voltage drop	V	<= 2
Short circuit protection		yes
Protected against polarity reversal		yes

12.09.2006 / Online-Information

