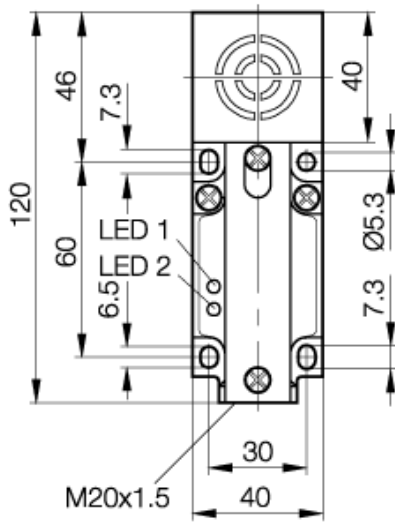
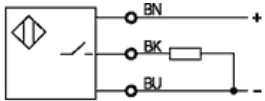


Quadraform 40 x 40
Sn = 25 mm
DC 3-Wire
unshielded



PX1545



Utilization categories DC 13

If not differently indicated,
all values by IEC 60947-5-2 (DIN EN60947-5-2)
Specifications subject to change

Balluff GmbH
Postfach 1160
73761 Neuhausen
Telefon (07158) 173-0
Telefax (07158) 5010

Common Data

Mounting		unshielded
Rated operating distance Sn	mm	25,0
Assured operating distance Sa	mm	0...20/32
Repeatability	%	<= 5
Hysteresis	%	<= 20
Function indication		yes
Ambient temperature range	°C	-25...+70
Polution Degree		3
IEC-Code		I 1D40AP3
Time delay before availability	ms	<= 30

Mechanical Data

Housing size	mm	Quadraform 40 x 40
Measurements BxHxT or DxT	mm	40 x 40 x 120
Housing material		Plastic (PBTP)
Material of sensing face		PBTP
Degree of protection		IP67
Connection		Screw terminals

Electrical Data

Current type		DC
Wiring		3-Wire
switching function		normally-open
Output signal		PNP
Rated operational voltage	V	24 DC
Rated operational current	mA	200
Supply voltage	V	10...30 DC
Ripple	%	<= 15
Rated supply frequency	Hz	50
No-load supply current	mA	<= 15 / <= 8
Off-state current	µA	<= 80
Voltage drop	V	<= 3.5/-
Short circuit protection		yes
Protected against polarity reversal		yes

EMV

ESD/RFI/Burst/IVW	4/3/4/4
Emission	Gr.1, KL.B

15.03.2005 / Online-Information