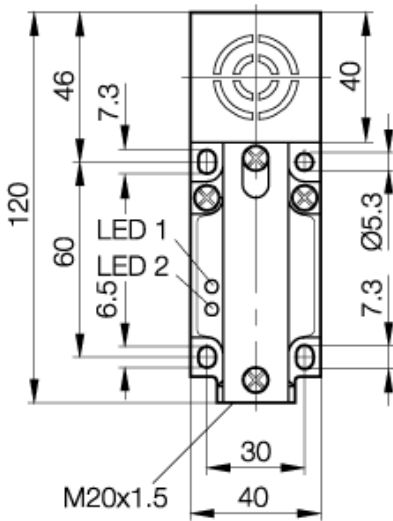
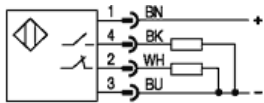


Quadraform 40 x 40
Sn = 30 mm
DC 4-Wire
unshielded



PX1545



Utilization categories DC 13

If not differently indicated,
all values by IEC 60947-5-2 (DIN EN60947-5-2)
Specifications subject to change

Balluff GmbH
Postfach 1160
73761 Neuhausen
Telefon (07158) 173-0
Telefax (07158) 5010

Common Data

| | | |
|--------------------------------|----|------------|
| Mounting | | unshielded |
| Rated operating distance Sn | mm | 30,0 |
| Assured operating distance Sa | mm | 0...24 |
| Repeatability | % | <= 5 |
| Hysteresis | % | <= 20 |
| Power Indication | | yes |
| Function Indication | | yes |
| Ambient temperature range | °C | -25...+70 |
| Polution Degree | | 3 |
| IEC-Code | | I2D40CP3 |
| Time delay before availability | ms | <= 30 |

Mechanical Data

| | | |
|---------------------------|----|--------------------|
| Housing size | mm | Quadraform 40 x 40 |
| Measurements BxHxT or DxT | mm | 40 x 40 x 120 |
| Housing material | | Plastic (PBTP) |
| Material of sensing face | | PBTP |
| Degree of protection | | IP67 |
| Connection | | Screw terminals |

Electrical Data

| | | |
|-------------------------------------|----|---------------|
| Current type | | DC |
| Wiring | | 4-Wire |
| switching function | | Complementary |
| Output signal | | PNP |
| Rated operational voltage | V | 24 DC |
| Rated operational current | mA | 200 |
| Supply voltage | V | 10...55 DC |
| Ripple | % | <= 15 |
| Rated supply frequency | Hz | 60 |
| No-load supply current | mA | <= 20/<= 15 |
| Off-state current | µA | <= 80 |
| Voltage drop | V | <= 2.5/- |
| Short circuit protection | | yes |
| Protected against polarity reversal | | yes |

26.05.2004 / Online-Information