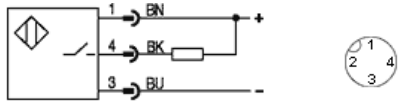
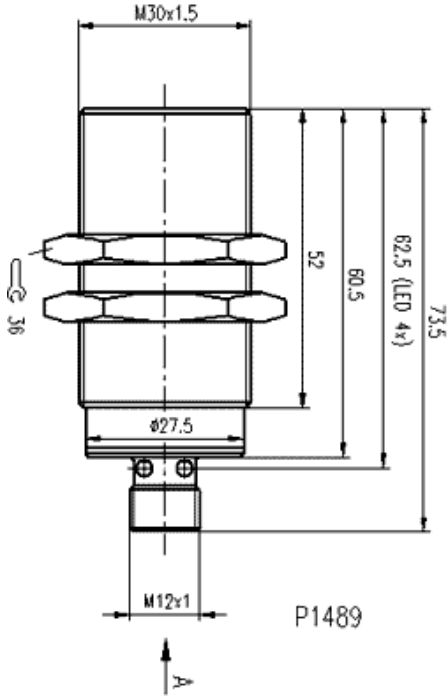


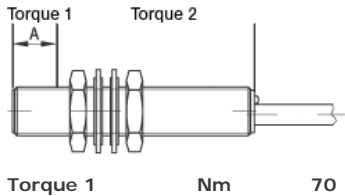
cyl. M30  
Sn = 22 mm  
DC 3-Wire  
shielded



Utilization categories DC 13

Further information:  
■ Einbauhinweise 825356

■ **Tightening torque:**



If only torque1 is indicated, this applies to entire thread

If not differently indicated, all values by IEC 60947-5-2 (DIN EN60947-5-2)  
Specifications subject to change  
Balluff GmbH  
Postfach 1160  
73761 Neuhausen  
Telefon (07158) 173-0  
Telefax (07158) 5010

**Common Data**

Mounting		shielded
Rated operating distance Sn	mm	22,0
Assured operating distance Sa	mm	0...17.8
Repeatability	%	<= 5
Hysteresis	%	≤ 10
Function indication		yes
Ambient temperature range	°C	-25...+70
Polution Degree		3
IEC-Code		1A30AN2
Time delay before availability	ms	≤ 200

**Mechanical Data**

Housing size	mm	cyl. M30
Measurements BxHxT or DxT	mm	M30x1.5 x 73.5
Housing material		CuZn chrome plated
Material of sensing face		PBTP
Degree of protection		IP67
Connection		Connector S4

**Electrical Data**

Current type		DC
Wiring		3-Wire
switching function		normally-open
Output signal		NPN
Rated operational voltage	V	24 DC
Rated operational current	mA	200
Supply voltage	V	10...30 DC
Ripple	%	≤ 20
Rated supply frequency	Hz	200
No-load supply current	mA	<= 10
Off-state current	µA	<= 100
Voltage drop	V	<= 2
Short circuit protection		yes
Protected against polarity reversal		yes

08.02.2005 / Online-Information

