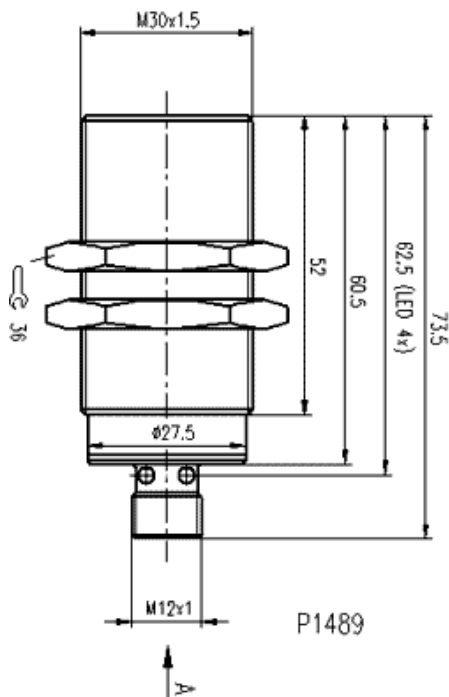


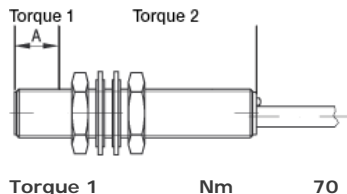
cyl. M30  
 Sn = 22 mm  
 DC 3-Wire  
 quasi shielded



Utilization categories DC 13

Further information:  
 ■ Einbauhinweise 825356

■ Tightening torque:



Torque 1      Nm      70

If only torque1 is indicated, this applies to entire thread

If not differently indicated, all values by IEC 60947-5-2 (DIN EN60947-5-2)  
 Specifications subject to change  
 Balluff GmbH  
 Postfach 1160  
 73761 Neuhausen  
 Telefon (07158) 173-0  
 Telefax (07158) 5010

**Common Data**

Mounting		quasi shielded
Rated operating distance Sn	mm	22,0
Assured operating distance Sa	mm	0...17.6
Repeatability	%	<= 5
Hysteresis	%	≦ 10
Function indication		yes
Ambient temperature range	°C	-25...+70
Polution Degree		3
IEC-Code		1A30AP2
Time delay before availability	ms	≦ 200

**Mechanical Data**

Housing size	mm	cyl. M30
Measurements BxHxT or DxT	mm	M30x1.5 x 73.5
Housing material		CuZn chrome plated
Material of sensing face		PBT
Degree of protection		IP67
Connection		Connector S4

**Electrical Data**

Current type		DC
Wiring		3-Wire
switching function		normally-open
Output signal		PNP
Rated operational voltage	V	24 DC
Rated operational current	mA	200
Supply voltage	V	10...30 DC
Ripple	%	<=20
Rated supply frequency	Hz	200
No-load supply current	mA	<= 10
Off-state current	µA	<= 100
Voltage drop	V	<= 2
Short circuit protection		yes
Protected against polarity reversal		yes

08.02.2005 / Online-Information

