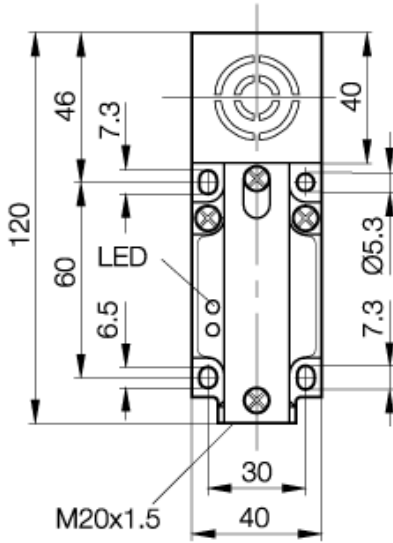
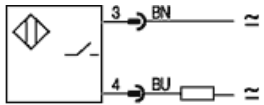


Quadraform 40 x 40
Sn = 20 mm
AC-DC 2-Wire
unshielded



PX1548



Utilization categories AC 140

If not differently indicated,
all values by IEC 60947-5-2 (DIN EN60947-5-2)
Specifications subject to change
Balluff GmbH
Postfach 1160
73761 Neuhausen
Telefon (07158) 173-0
Telefax (07158) 5010

Common Data

Mounting		unshielded
Rated operating distance Sn	mm	20,0
Assured operating distance Sa	mm	0...16.0/20.0
Repeatability	%	<= 5
Hysteresis	%	<= 20
Function indication		yes
Ambient temperature range	°C	-25...+70
Pollution Degree		3
IEC-Code		I2C40PU3
Time delay before availability	ms	<= 200

Mechanical Data

Housing size	mm	Quadraform 40 x 40
Measurements BxHxT or DxT	mm	40 x 40 x 120
Housing material		PBTP
Material of sensing face		PBTP
Degree of protection		IP67
Connection		Screw terminals

Electrical Data

Current type		AC-DC
Wiring		2-Wire
switching function		NO/NC programmable
Rated operational voltage	V	110 AC
Rated operational current	mA	250
Supply voltage	V	20...250 AC/DC
Ripple	%	-
Rated supply frequency	Hz	100
Minimum operational current	mA	5
No-load supply current	mA	-/-
Off-state current	µA	<= 1700
Inrush current	mA	1.0/1.0
Voltage drop	V	<= 11.5/7.5
Short circuit protection		yes
Protected against polarity reversal		yes

EMV

ESD/RFI/Burst/IVW

Emission

10.06.2005 / Online-Information