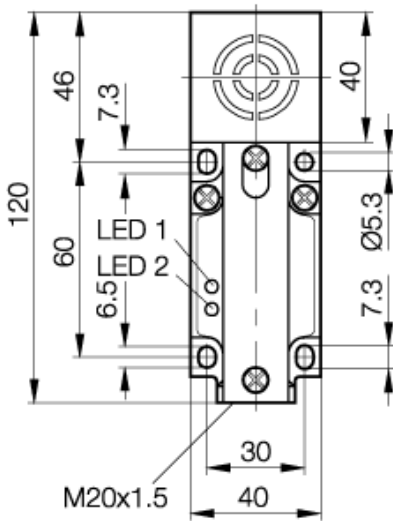
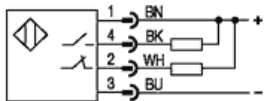


Quadraform 40 x 40
Sn = 20 mm
DC 4-Wire
shielded



PX1545



Utilization categories DC 13

If not differently indicated,
all values by IEC 60947-5-2 (DIN EN60947-5-2)
Specifications subject to change

Balluff GmbH
Postfach 1160
73761 Neuhausen
Telefon (07158) 173-0
Telefax (07158) 5010

Common Data

Mounting		shielded
Rated operating distance Sn	mm	20,0
Assured operating distance Sa	mm	0...16
Repeatability	%	<= 5
Hysteresis	%	<= 20
Power Indication		yes
Function Indication		yes
Ambient temperature range	°C	-25...+70
Polution Degree		3
IEC-Code		I1D40CN3
Time delay before availability	ms	<= 30

Mechanical Data

Housing size	mm	Quadraform 40 x 40
Measurements BxHxT or DxT	mm	40 x 40 x 120
Housing material		Plastic (PBTP)
Material of sensing face		PBTP
Degree of protection		IP67
Connection		Screw terminals

Electrical Data

Current type		DC
Wiring		4-Wire
switching function		Complementary
Output signal		NPN
Rated operational voltage	V	24 DC
Rated operational current	mA	200
Supply voltage	V	10...55 DC
Ripple	%	<= 15
Rated supply frequency	Hz	50
No-load supply current	mA	<= 20/<= 15
Off-state current	µA	<= 80
Voltage drop	V	<= 2.5/-
Short circuit protection		yes
Protected against polarity reversal		yes

26.05.2004 / Online-Information