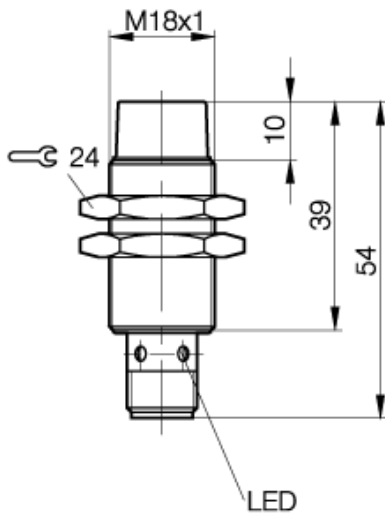
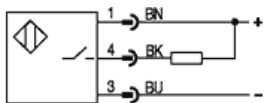


cyl. M18  
Sn = 8 mm  
DC 3-Wire  
unshielded



PX0441



Utilization categories DC 13

If not differently indicated,  
all values by IEC 60947-5-2 (DIN EN60947-5-2)  
Specifications subject to change

Balluff GmbH  
Postfach 1160  
73761 Neuhausen  
Telefon (07158) 173-0  
Telefax (07158) 5010

### Common Data

|                                |    |            |
|--------------------------------|----|------------|
| Mounting                       |    | unshielded |
| Rated operating distance Sn    | mm | 8,0        |
| Assured operating distance Sa  | mm | 0...6.5    |
| Repeatability                  | %  | <= 5       |
| Hysteresis                     | %  | <= 15      |
| Function Indication            |    | yes        |
| Ambient temperature range      | °C | -25...+70  |
| Polution Degree                |    | 3          |
| IEC-Code                       |    | I2A18AN2   |
| Time delay before availability | ms | <= 10      |

### Mechanical Data

|                           |    |                     |
|---------------------------|----|---------------------|
| Housing size              | mm | cyl. M18            |
| Measurements BxHxT or DxT | mm | M18x1 x 54          |
| Housing material          |    | nickel plated brass |
| Material of sensing face  |    | PA 12               |
| Degree of protection      |    | IP67                |
| Connection                |    | Connector S4        |

### Electrical Data

|                                     |    |               |
|-------------------------------------|----|---------------|
| Current type                        |    | DC            |
| Wiring                              |    | 3-Wire        |
| switching function                  |    | normally-open |
| Output signal                       |    | NPN           |
| Rated operational voltage           | V  | 24 DC         |
| Rated operational current           | mA | 130           |
| Supply voltage                      | V  | 10...30 DC    |
| Ripple                              | %  | <= 15         |
| Rated supply frequency              | Hz | 200           |
| No-load supply current              | mA | <= 25 / <= 12 |
| Off-state current                   | µA | <= 80         |
| Voltage drop                        | V  | <= 3.5/-      |
| Short circuit protection            |    | yes           |
| Protected against polarity reversal |    | yes           |

### EMV

ESD/RFI/Burst/IVW  
Emission

21.01.2004 / Online-Information