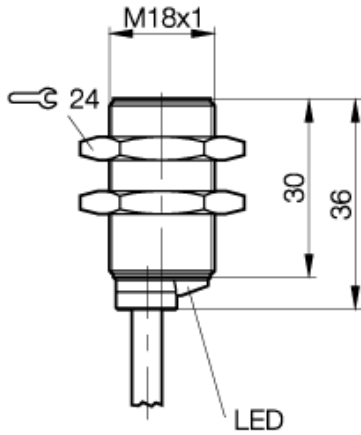
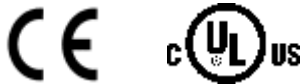
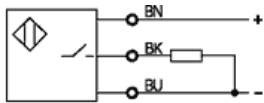


cyl. M18  
Sn = 8 mm  
DC 3-Wire  
shielded



PX0143



Utilization categories DC 13

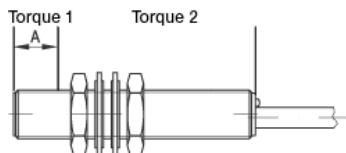
Further information:



Einbauhinweise 825357



**Tightening torque:**



Torque 1	Nm	25
Torque 2	Nm	35
A	mm	15

If only torque1 is indicated,  
this applies to entire thread

If not differently indicated,  
all values by IEC 60947-5-2 (DIN EN60947-5-2)  
Specifications subject to change

### Common Data

Mounting		shielded
Rated operating distance Sn	mm	8,0
Assured operating distance Sa	mm	0...6.4
Repeatability	%	<= 5
Hysteresis	%	<= 15
Function Indication		yes
Ambient temperature range	°C	-25...+70
Polution Degree		3
IEC-Code		I1A18AP1
Time delay before availability	ms	<= 10

### Mechanical Data

Housing size	mm	cyl. M18
Measurements BxHxT or DxT	mm	M18x1 x 36
Housing material		nickel plated brass
Material of sensing face		PBTP
Degree of protection		IP68 acc. BWN Pr 20
Connection		Cable
Cable type		LIYY-O

### Electrical Data

Current type		DC
Wiring		3-Wire
switching function		normally-open
Output signal		PNP
Rated operational voltage	V	24 DC
Rated operational current	mA	130
Supply voltage	V	10...30 DC
Ripple	%	<= 15
Rated supply frequency	Hz	200
No-load supply current	mA	<= 25/<= 12
Off-state current	µA	<= 80
Voltage drop	V	<= 3.5/-
Short circuit protection		yes
Protected against polarity reversal		yes

03.06.2004 / Online-Information

