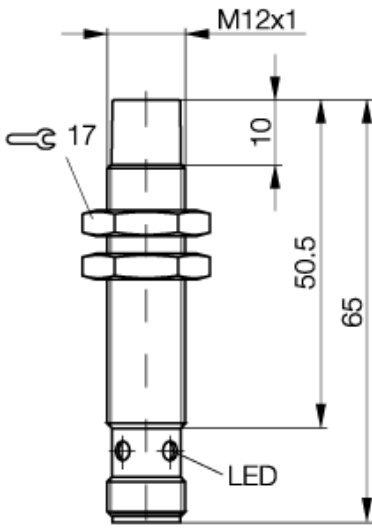
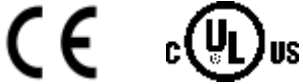
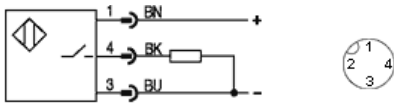


cyl. M12
 Sn = 7 mm
 DC 3-Wire
 unshielded



PX1339



Utilization categories DC 13

If not differently indicated,
 all values by IEC 60947-5-2 (DIN EN60947-5-2)
 Specifications subject to change

Balluff GmbH
 Postfach 1160
 73761 Neuhausen
 Telefon (07158) 173-0
 Telefax (07158) 5010

Common Data

Mounting		unshielded
Rated operating distance Sn	mm	7,0
Assured operating distance Sa	mm	0...5.6
Repeatability	%	<= 5
Hysteresis	%	<= 15
Function indication		yes
Ambient temperature range	°C	-25...+70
Polution Degree		3
IEC-Code		I2A12AP1
Time delay before availability	ms	<= 10

Mechanical Data

Housing size	mm	cyl. M12
Measurements BxHxT or DxT	mm	M12x1 x 65
Housing material		stainless steel
Material of sensing face		PBT
Degree of protection		IP68 acc. BWN Pr 20
Connection		Connector S4

Electrical Data

Current type		DC
Wiring		3-Wire
switching function		normally-open
Output signal		PNP
Rated operational voltage	V	24 DC
Rated operational current	mA	200
Supply voltage	V	10...30 DC
Ripple	%	<= 15
Rated supply frequency	Hz	3000
No-load supply current	mA	<= 8 / <= 3
Off-state current	µA	<= 10
Voltage drop	V	<= 2.0/-
Short circuit protection		yes
Protected against polarity reversal		yes

11.08.2004 / Online-Information