

cyl. M18
Sn = 8 mm
DC 3-Wire
shielded

Common Data

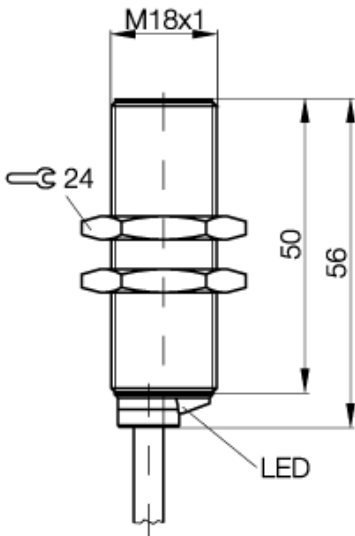
Mounting		shielded
Rated operating distance Sn	mm	8,0
Assured operating distance Sa	mm	0...6.4
Repeatability	%	≤ 5
Hysteresis	%	≤ 15
Function Indication		yes
Ambient temperature range	°C	-25...+70
Polution Degree		3
IEC-Code		I1A18AP1
Time delay before availability	ms	≤30

Mechanical Data

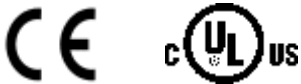
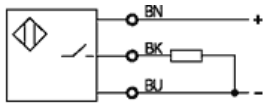
Housing size	mm	cyl. M18
Measurements BxHxT or DxT	mm	M18x1 x 56
Housing material		nickel plated brass
Material of sensing face		PA 12
Degree of protection		68 acc. BWN Pr 20
Connection		Cable
Cable type		LIFY-Y-11Y-0

Electrical Data

Current type		DC
Wiring		3-Wire
switching function		normally-open
Output signal		PNP
Rated operational voltage	V	24 DC
Rated operational current	mA	200
Supply voltage	V	12...30 DC
Ripple	%	≤ 15
Rated supply frequency	Hz	150
No-load supply current	mA	≤15 / ≤8
Off-state current	µA	≤ 20
Voltage drop	V	≤ 2.5/-
Short circuit protection		yes
Protected against polarity reversal		yes



PX0268

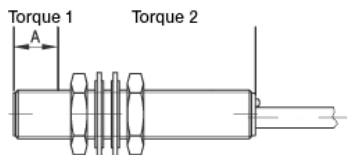


Utilization categories DC 13

Further information:



Tightening torque:



Torque 1	Nm	25
Torque 2	Nm	35
A	mm	14

If only torque1 is indicated, this applies to entire thread

If not differently indicated, all values by IEC 60947-5-2 (DIN EN60947-5-2) Specifications subject to change

04.06.2004 / Online-Information

