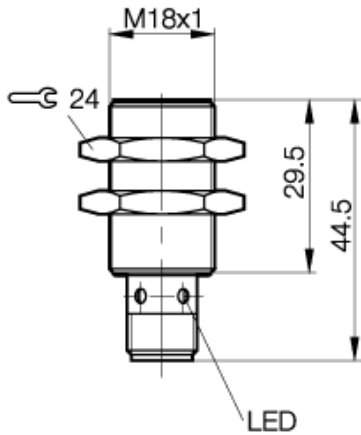
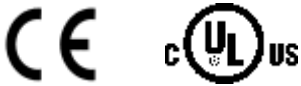
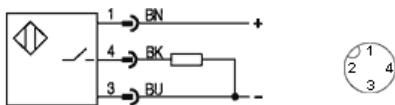


cyl. M18
Sn = 5 mm
DC 3-Wire
shielded



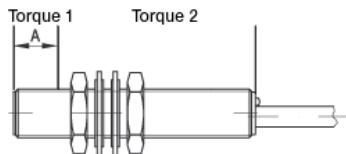
PX0453a



Utilization categories DC 13



Tightening torque:



Torque 1	Nm	25
Torque 2	Nm	35
A	mm	15

If only torque1 is indicated, this applies to entire thread

If not differently indicated, all values by IEC 60947-5-2 (DIN EN60947-5-2)
Specifications subject to change

Balluff GmbH
Postfach 1160
73761 Neuhausen
Telefon (07158) 173-0
Telefax (07158) 5010

Common Data

Mounting		shielded
Rated operating distance Sn	mm	5,0
Assured operating distance Sa	mm	0...4
Repeatability	%	<= 5
Hysteresis	%	<= 15
Function Indication		yes
Ambient temperature range	°C	-25...+70
Polution Degree		3
IEC-Code		I1A18AP2
Time delay before availability	ms	<= 50

Mechanical Data

Housing size	mm	cyl. M18
Measurements BxHxT or DxT	mm	M18x1 x 44.5
Housing material		nickel plated brass
Material of sensing face		PA 12
Degree of protection		IP67
Connection		Connector S4

Electrical Data

Current type		DC
Wiring		3-Wire
switching function		normally-open
Output signal		PNP
Rated operational voltage	V	24 DC
Rated operational current	mA	200
Supply voltage	V	10...30 DC
Ripple	%	<= 15
Rated supply frequency	Hz	1000
No-load supply current	mA	<= 10/<= 3
Off-state current	µA	<= 10
Voltage drop	V	<= 2.0/-
Short circuit protection		yes
Protected against polarity reversal		yes

25.05.2004 / Online-Information

