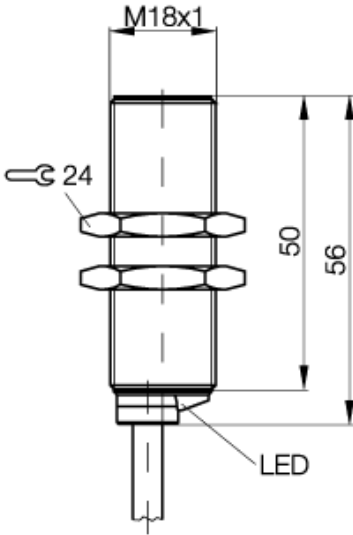
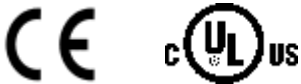
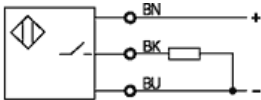


cyl. M18
 Sn = 5 mm
 DC 3-Wire
 shielded

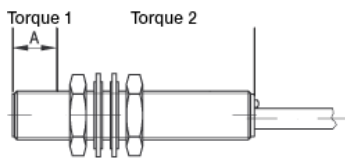


PX0268



Utilization categories DC 13

■ Tightening torque:



Torque 1 Nm 35

If only torque1 is indicated,
 this applies to entire thread

If not differently indicated,
 all values by IEC 60947-5-2 (DIN EN60947-5-2)
 Specifications subject to change
 Balluff GmbH
 Postfach 1160
 73761 Neuhausen
 Telefon (07158) 173-0
 Telefax (07158) 5010

Common Data

| | | |
|--------------------------------|----|-----------|
| Mounting | | shielded |
| Rated operating distance Sn | mm | 5,0 |
| Assured operating distance Sa | mm | 0...4.0 |
| Repeatability | % | <= 5 |
| Hysteresis | % | <= 15 |
| Function indication | | yes |
| Ambient temperature range | °C | -25...+70 |
| Polution Degree | | 3 |
| IEC-Code | | I1A18AP1 |
| Time delay before availability | ms | <= 30 |

Mechanical Data

| | | |
|---------------------------|----|---------------------|
| Housing size | mm | cyl. M18 |
| Measurements BxHxT or DxT | mm | M18x1 x 56 |
| Housing material | | nickel plated brass |
| Material of sensing face | | PA 12 |
| Degree of protection | | 68 acc. BWN Pr 20 |
| Connection | | Cable |
| Cable type | | LIY18-Y-11Y |

Electrical Data

| | | |
|-------------------------------------|----|---------------|
| Current type | | DC |
| Wiring | | 3-Wire |
| switching function | | normally-open |
| Output signal | | PNP |
| Rated operational voltage | V | 24 DC |
| Rated operational current | mA | 200 |
| Supply voltage | V | 12...30 DC |
| Ripple | % | <= 15 |
| Rated supply frequency | Hz | 700 |
| No-load supply current | mA | <= 15 |
| Off-state current | µA | <= 20 |
| Voltage drop | V | <= 2.5/- |
| Short circuit protection | | yes |
| Protected against polarity reversal | | yes |

21.03.2005 / Online-Information

