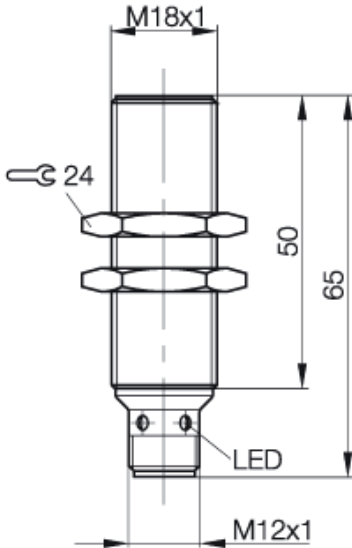
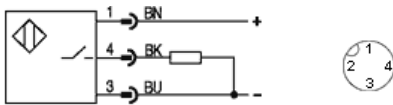


cyl. M18
 Sn = 5 mm
 DC 3-Wire
 shielded

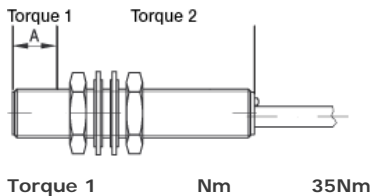


PX1718



Utilization categories DC 13

■ **Tightening torque:**



If only torque1 is indicated, this applies to entire thread

If not differently indicated, all values by IEC 60947-5-2 (DIN EN60947-5-2) Specifications subject to change
 Balluff GmbH
 Postfach 1160
 73761 Neuhausen
 Telefon (07158) 173-0
 Telefax (07158) 5010

Common Data

Mounting		shielded
Rated operating distance Sn	mm	5,0
Assured operating distance Sa	mm	0...4.0
Repeatability	%	<= 5
Hysteresis	%	<= 15
Function indication		yes
Ambient temperature range	°C	-25...+70
Polution Degree		3
IEC-Code		I 1A18AP2
Time delay before availability	ms	<= 30

Mechanical Data

Housing size	mm	cyl. M18
Measurements BxHxT or DxT	mm	M18x1 x 65
Housing material		nickel plated brass
Material of sensing face		PA 12
Degree of protection		68 acc. BWN Pr 20
Connection		Connector S4

Electrical Data

Current type		DC
Wiring		3-Wire
switching function		normally-open
Output signal		PNP
Rated operational voltage	V	24 DC
Rated operational current	mA	200
Supply voltage	V	12...30 DC
Ripple	%	<= 15
Rated supply frequency	Hz	700
No-load supply current	mA	<= 15
Off-state current	µA	<= 20
Voltage drop	V	<= 2.5/-
Short circuit protection		yes
Protected against polarity reversal		yes

21.03.2005 / Online-Information

