

cyl. M12  
Sn = 3,7 mm  
DC 3-Wire  
unshielded

**Common Data**

Mounting		unshielded
Rated operating distance Sn	mm	3,7
Assured operating distance Sa	mm	0...2.9
Repeatability	%	<= 5
Hysteresis	%	<= 15
Ambient temperature range	°C	-25...+70
Polution Degree		3
IEC-Code		I2A12BP2
Time delay before availability	ms	<= 50
Particular characteristics		function monitoring

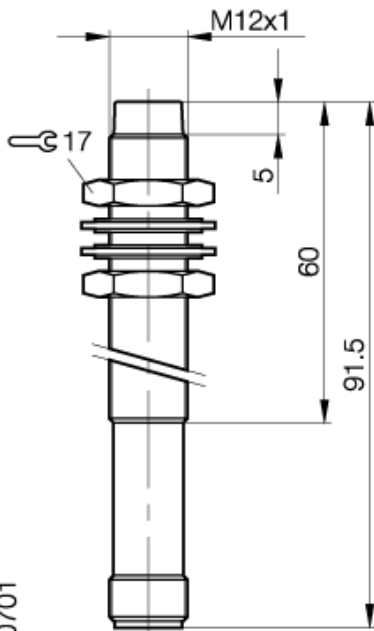
**Mechanical Data**

Housing size	mm	cyl. M12
Measurements BxHxT or DxT	mm	M12x1 x 91.5
Housing material		nickel plated brass
Material of sensing face		PA 12
Degree of protection		IP67
Connection		Connector S4

**Electrical Data**

Current type		DC
Wiring		3-Wire
switching function		normally-closed
Output signal		PNP
Rated operational voltage	V	24 DC
Rated operational current	mA	130
Supply voltage	V	20...30 DC
Ripple	%	<= 15
Rated supply frequency	Hz	300
Minimum operational current	mA	1
No-load supply current	mA	<= 25/<= 25
Off-state current	µA	<= 80
Voltage drop	V	typ. 2.5
Short circuit protection		yes
Protected against polarity reversal		yes

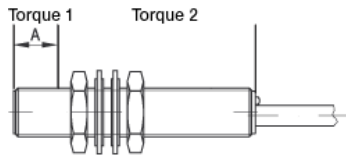
11.05.2004 / Online-Information



Utilization categories DC 12



**Tightening torque:**



Torque 1	Nm	10
Torque 2	Nm	15
A	mm	14

If only torque1 is indicated, this applies to entire thread

If not differently indicated, all values by IEC 60947-5-2 (DIN EN60947-5-2) Specifications subject to change

Balluff GmbH  
Postfach 1160  
73761 Neuhausen  
Telefon (07158) 173-0  
Telefax (07158) 5010

