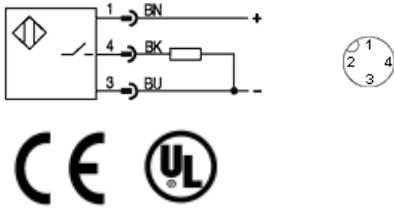
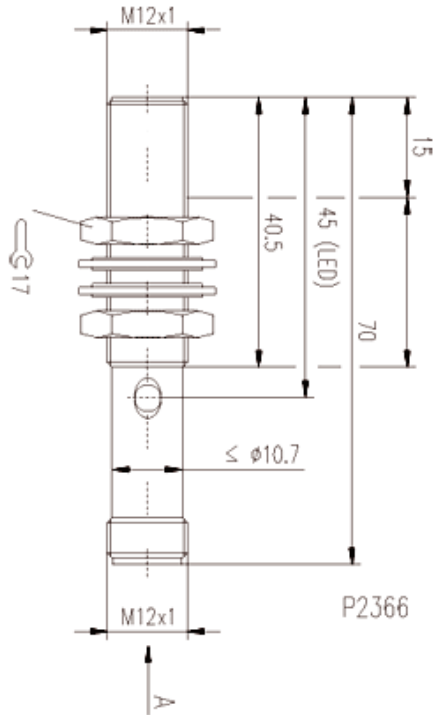


cyl. M12
Sn = 4 mm
DC 3-Wire
shielded



Utilization categories DC 13

Further information:
■ Einbauhinweise 825357

If not differently indicated,
all values by IEC 60947-5-2 (DIN EN60947-5-2)
Specifications subject to change
Balluff GmbH
Postfach 1160
73761 Neuhausen
Telefon (07158) 173-0
Telefax (07158) 5010

Common Data

Mounting		shielded
Rated operating distance Sn	mm	4,0
Assured operating distance Sa	mm	0...2.9
Repeatability	%	≤ 5
Hysteresis	%	≤ 15
Function indication		yes
Ambient temperature range	°C	-25...+70
Polution Degree		3
IEC-Code		I1A12AP2
Time delay before availability	ms	≤ 10

Mechanical Data

Housing size	mm	cyl. M12
Measurements BxHxT or DxT	mm	M12x1 x 70
Housing material		nickel plated brass
Material of sensing face		LCP
Degree of protection		IP67
Connection		Connector S4

Electrical Data

Current type		DC
Wiring		3-Wire
switching function		normally-open
Output signal		PNP
Rated operational voltage	V	24 DC
Rated operational current	mA	200
Supply voltage	V	10...30 DC
Ripple	%	≤ 15
Rated supply frequency	Hz	600
No-load supply current	mA	≤ 25/≤ 12
Off-state current	µA	≤ 80
Voltage drop	V	≤ 2.5/-
Short circuit protection		yes
Protected against polarity reversal		yes

07.03.2006 / Online-Information