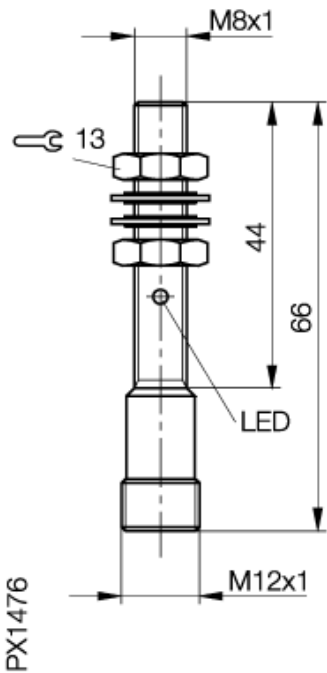


cyl. M 8
 Sn = 3 mm
 DC 3-Wire
 quasi shielded



Utilization categories DC 13

Further information:



Einbauhinweise 825356

If not differently indicated,
 all values by IEC 60947-5-2 (DIN EN60947-5-2)
 Specifications subject to change

Balluff GmbH
 Postfach 1160
 73761 Neuhausen
 Telefon (07158) 173-0
 Telefax (07158) 5010

Common Data

Mounting		quasi shielded
Rated operating distance Sn	mm	3,0
Assured operating distance Sa	mm	0...2,4
Repeatability	%	<= 5
Function Indication		yes
Ambient temperature range	°C	-25...+70

Mechanical Data

Housing size	mm	cyl. M 8
Measurements BxHxT or DxT	mm	M 8 x 66
Housing material		CuZn chrome plated
Material of sensing face		PBT
Degree of protection		IP67
Connection		Connector S4

Electrical Data

Current type		DC
Wiring		3-Wire
switching function		normally-open
Output signal		NPN
Rated operational voltage	V	24 DC
Rated operational current	mA	200
Supply voltage	V	10...30 DC
Rated supply frequency	Hz	1000
No-load supply current	mA	<= 12
Off-state current	µA	<= 100
Voltage drop	V	<= 2
Short circuit protection		yes
Protected against polarity reversal		yes

21.01.2004 / Online-Information

