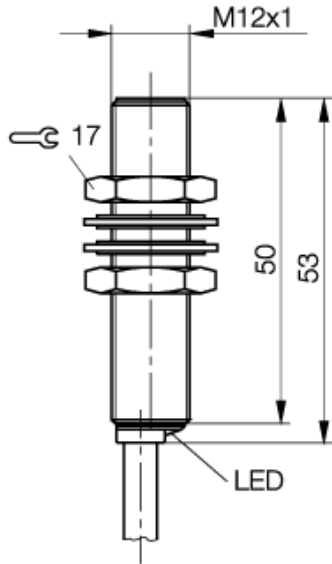
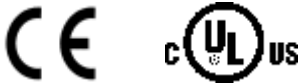
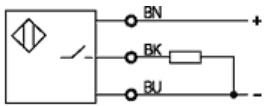


cyl. M12  
Sn = 4 mm  
DC 3-Wire  
shielded  
sn: 2fach



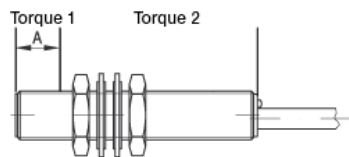
PX1426



Utilization categories DC 13

Further information:  
■ Einbauhinweise 825357

■ Tightening torque:



Torque 1	Nm	10
Torque 2	Nm	15
A	mm	15

If only torque1 is indicated,  
this applies to entire thread

If not differently indicated,  
all values by IEC 60947-5-2 (DIN EN60947-5-2)  
Specifications subject to change

**Common Data**

Mounting		shielded
Rated operating distance Sn	mm	4,0
Assured operating distance Sa	mm	0...3.2
Repeatability	%	<= 5
Hysteresis	%	<= 15
Function indication		yes
Ambient temperature range	°C	-25...+70
Polution Degree		3
IEC-Code		I1A12AP1
Time delay before availability	ms	<= 30

**Mechanical Data**

Housing size	mm	cyl. M12
Measurements BxHxT or DxT	mm	M12x1 x 53
Housing material		nickel plated brass
Material of sensing face		LCP
Degree of protection		68 acc. BWN Pr 20
Connection		Cable
Cable type		LifY-Y-11Y-0

**Electrical Data**

Current type		DC
Wiring		3-Wire
switching function		normally-open
Output signal		PNP
Rated operational voltage	V	24 DC
Rated operational current	mA	200
Supply voltage	V	12...30 DC
Ripple	%	<= 15
Rated supply frequency	Hz	500
No-load supply current	mA	<= 10 / <= 5
Off-state current	µA	<= 20
Voltage drop	V	<= 2.5
Short circuit protection		yes
Protected against polarity reversal		yes

02.02.2007 / Online-Information

