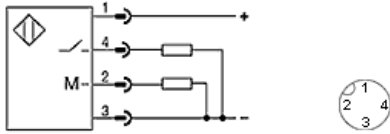
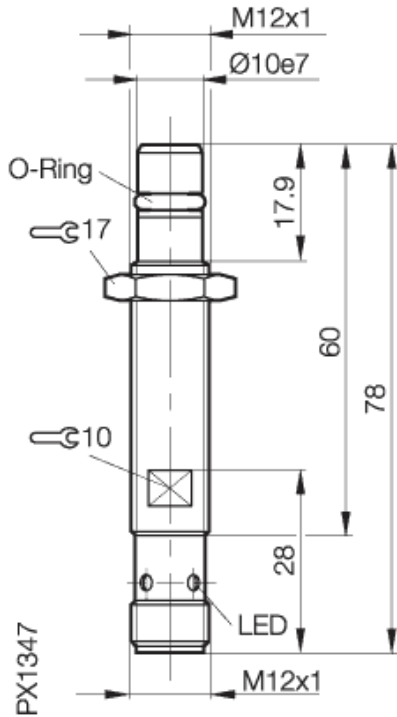


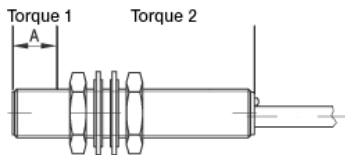
cyl. M12
 Sn = 1,5 mm
 DC 4-Wire
 shielded



Utilization categories DC 13

Notes
 60bar at the active surface

■ **Tightening torque:**



Torque 1 Nm 25

If only torque1 is indicated,
 this applies to entire thread

If not differently indicated,
 all values by IEC 60947-5-2 (DIN EN60947-5-2)
 Specifications subject to change

Common Data

Mounting		shielded
Rated operating distance Sn	mm	1,5
Assured operating distance Sa	mm	0...1.2
Repeatability	%	<= 5
Hysteresis	%	<= 15
Function indication		yes
Ambient temperature range	°C	-25...+70°C
Polution Degree		3
Time delay before availability	ms	<= 10
Particular characteristics		oil-pressure rated to 500 bar

Mechanical Data

Housing size	mm	cyl. M12
Measurements BxHxT or DxT	mm	M12x1 x 78
Housing material		1.4104
Material of sensing face		EP
Degree of protection		68 acc. BWN Pr 20
Connection		Connector S4

Electrical Data

Current type		DC
Wiring		4-Wire
switching function		normally-open
Output signal		PNP
Rated operational voltage	V	24 DC
Rated operational current	mA	200
Supply voltage	V	10...30 DC
Ripple	%	<= 15
Rated supply frequency	Hz	300
Minimum operational current	mA	3
No-load supply current	mA	9/7
Off-state current	µA	80
Voltage drop	V	<= 3.7/-
Short circuit protection		yes
Protected against polarity reversal		yes

20.07.2004 / Online-Information

