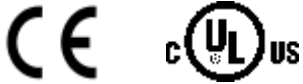
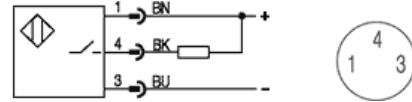
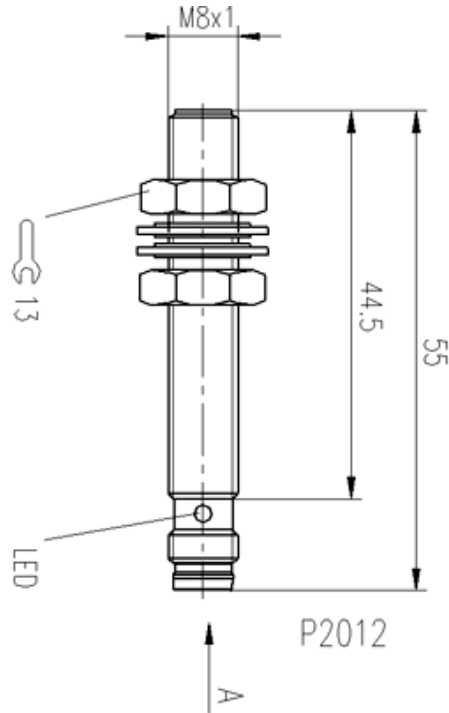


cyl. M 8
Sn = 1,5 mm
DC 3-Wire
shielded



Utilization categories DC 13

Notes
When overload is removed, sensor resumed function.

If not differently indicated,
all values by IEC 60947-5-2 (DIN EN60947-5-2)
Specifications subject to change
Balluff GmbH
Postfach 1160
73761 Neuhausen
Telefon (07158) 173-0
Telefax (07158) 5010

Common Data

Mounting		shielded
Rated operating distance Sn	mm	1,5
Assured operating distance Sa	mm	0...1.2
Repeatability	%	<= 5
Hysteresis	%	<= 15
Function indication		yes
Ambient temperature range	°C	-25...+70
Polution Degree		3
IEC-Code		I1A08AN2
Time delay before availability	ms	<= 20

Mechanical Data

Housing size	mm	cyl. M 8
Measurements BxHxT or DxT	mm	M8x1 x 55
Housing material		stainless steel
Material of sensing face		PA 12
Degree of protection		68 acc. BWN Pr 20
Connection		Connector S49

Electrical Data

Current type		DC
Wiring		3-Wire
switching function		normally-open
Output signal		NPN
Rated operational voltage	V	24 DC
Rated operational current	mA	200
Supply voltage	V	10...30 DC
Ripple	%	<= 15
Rated supply frequency	Hz	3000
Minimum operational current	mA	0
No-load supply current	mA	<= 11 / <= 3
Off-state current	µA	<= 20
Voltage drop	V	<= 2.5/-
Short circuit protection		yes
Protected against polarity reversal		yes

28.02.2007 / Online-Information

