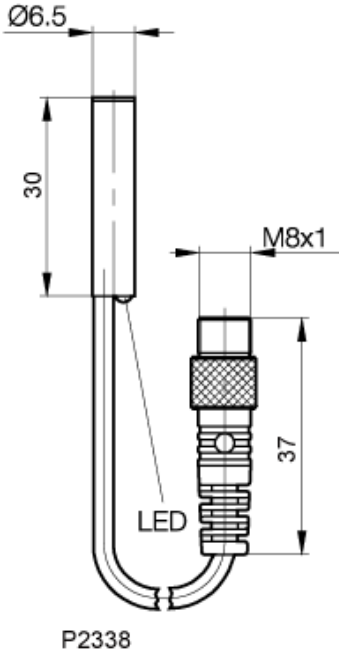


cyl. D 6.5
 Sn = 2 mm
 DC 3-Wire
 shielded
 sn: 2fach



Common Data

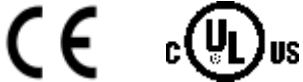
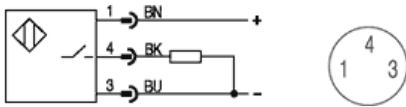
Mounting		shielded
Rated operating distance Sn	mm	2,0
Assured operating distance Sa	mm	0...1.6
Repeatability	%	<= 5
Hysteresis	%	<= 15
Function indication		yes
Ambient temperature range	°C	-25...+70
Polution Degree		3
IEC-Code		I1B06AP2
Time delay before availability	ms	<= 20

Mechanical Data

Housing size	mm	cyl. D 6.5
Measurements BxHxT or DxT	mm	D6.5 x 30
Housing material		stainless steel
Material of sensing face		PA 12
Degree of protection		68 acc. BWN Pr 20
Connection		Connector S49
Cable type		LIFY-11Y-O

Electrical Data

Current type		DC
Wiring		3-Wire
switching function		normally-open
Output signal		PNP
Rated operational voltage	V	24 DC
Rated operational current	mA	200
Supply voltage	V	10...30 DC
Ripple	%	<= 15
Rated supply frequency	Hz	1500
No-load supply current	mA	<= 9 / <= 3
Off-state current	µA	<= 20
Voltage drop	V	<= 2.5/-
Short circuit protection		yes
Protected against polarity reversal		yes



Utilization categories DC 13

Further information:
 ■ Einbauhinweise 825357

If not differently indicated,
 all values by IEC 60947-5-2 (DIN EN60947-5-2)
 Specifications subject to change
 Balluff GmbH
 Postfach 1160
 73761 Neuhausen
 Telefon (07158) 173-0
 Telefax (07158) 5010

06.09.2006 / Online-Information

