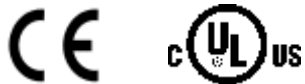
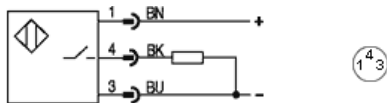
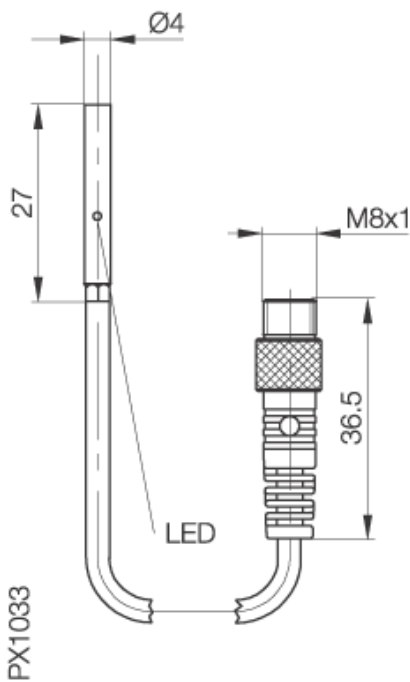


cyl. D 4  
 Sn = 1,5 mm  
 DC 3-Wire  
 shielded



Utilization categories DC 13

Further information:

■ Einbauhinweise 825357 ■ Hinweis EMV Schutzbeschaltung

If not differently indicated,  
 all values by IEC 60947-5-2 (DIN EN60947-5-2)

Specifications subject to change

Balluff GmbH  
 Postfach 1160  
 73761 Neuhausen  
 Telefon (07158) 173-0  
 Telefax (07158) 5010

**Common Data**

Mounting		shielded
Rated operating distance Sn	mm	1,5
Assured operating distance Sa	mm	0...1.2
Repeatability	%	<= 5
Hysteresis	%	<= 15
Function indication		yes
Ambient temperature range	°C	-25...+70
Polution Degree		3
IEC-Code		I 1B04AP2
Time delay before availability	ms	<25

**Mechanical Data**

Housing size	mm	cyl. D 4
Measurements BxHxT or DxT	mm	D4 x 27
Housing material		stainless steel
Material of sensing face		POM
Degree of protection		IP67
Connection		Connector S49
Cable type		LIFY-11Y-O

**Electrical Data**

Current type		DC
Wiring		3-Wire
switching function		normally-open
Output signal		PNP
Rated operational voltage	V	24 DC
Rated operational current	mA	100
Supply voltage	V	10...30 DC
Ripple	%	<= 10
Rated supply frequency	Hz	3000
Minimum operational current	mA	0
No-load supply current	mA	<= 10 / <= 3
Off-state current	µA	<= 80
Voltage drop	V	<= 3.0/-
Short circuit protection		yes
Protected against polarity reversal		yes

18.01.2005 / Online-Information

