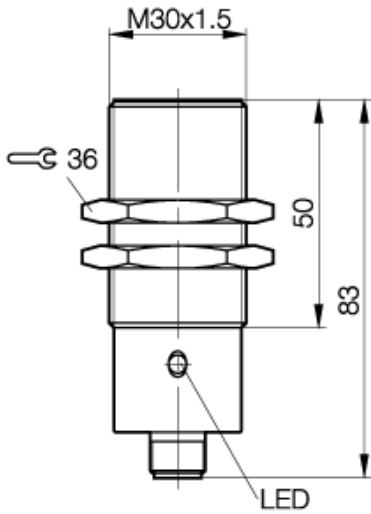
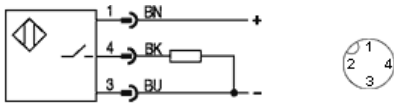


cyl. M30  
Sn = 15 mm  
DC 3-Wire  
shielded



PX0030

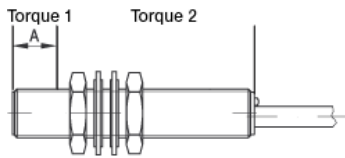


Utilization categories DC 13

Further information:

■ Einbauhinweise 825357 ■ Hinweis EMV Schutzbeschaltung

■ Tightening torque:



Torque 1 Nm 70

If only torque1 is indicated, this applies to entire thread

If not differently indicated, all values by IEC 60947-5-2 (DIN EN60947-5-2) Specifications subject to change

Balluff GmbH  
Postfach 1160  
73761 Neuhausen  
Telefon (07158) 173-0  
Telefax (07158) 5010

**Common Data**

Mounting		shielded
Rated operating distance Sn	mm	15,0
Assured operating distance Sa	mm	0...12.0
Repeatability	%	<= 5
Hysteresis	%	<= 15
Function indication		yes
Ambient temperature range	°C	-25...+70
Polution Degree		3
IEC-Code		I1A30AP2
Time delay before availability	ms	<= 10

**Mechanical Data**

Housing size	mm	cyl. M30
Measurements BxHxT or DxT	mm	M30x1.5 x 83
Housing material		nickel plated brass
Material of sensing face		PA 12
Degree of protection		IP68 acc. BWN Pr 20
Connection		Connector S4

**Electrical Data**

Current type		DC
Wiring		3-Wire
switching function		normally-open
Output signal		PNP
Rated operational voltage	V	24 DC
Rated operational current	mA	200
Supply voltage	V	10...55 DC
Ripple	%	<= 15
Rated supply frequency	Hz	150
No-load supply current	mA	<= 15/<= 10
Off-state current	µA	<= 80
Voltage drop	V	<= 2.5/-
Short circuit protection		yes
Protected against polarity reversal		yes

19.08.2004 / Online-Information

