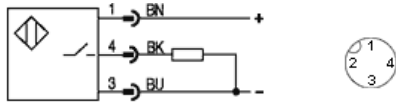
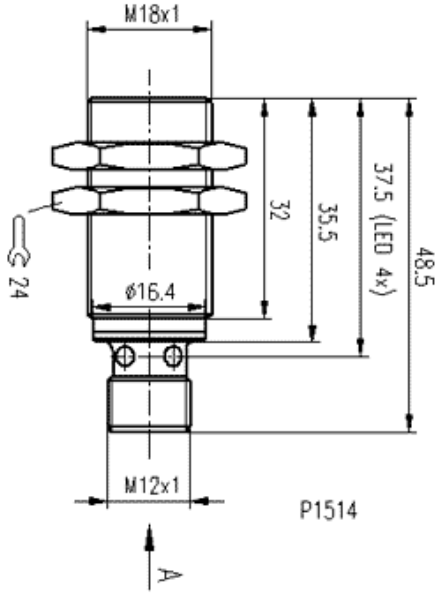


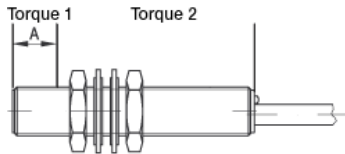
cyl. M18
 Sn = 12 mm
 DC 3-Wire
 quasi shielded



Utilization categories DC 13

Further information:
 ■ Einbauhinweise 825356

■ **Tightening torque:**



Torque 1 Nm 25

If only torque1 is indicated,
 this applies to entire thread

If not differently indicated,
 all values by IEC 60947-5-2 (DIN EN60947-5-2)
 Specifications subject to change
 Balluff GmbH
 Postfach 1160
 73761 Neuhausen
 Telefon (07158) 173-0
 Telefax (07158) 5010

Common Data

Mounting		quasi shielded
Rated operating distance Sn	mm	12,0
Assured operating distance Sa	mm	0...9.6
Repeatability	%	<= 5
Hysteresis	%	≦ 10
Function indication		yes
Ambient temperature range	°C	-25...+70
Polution Degree		3
IEC-Code		1A18AP2
Time delay before availability	ms	≦ 50

Mechanical Data

Housing size	mm	cyl. M18
Measurements BxHxT or DxT	mm	M18x1 x 48.5
Housing material		CuZn chrome plated
Material of sensing face		PBT
Degree of protection		IP67
Connection		Connector S4

Electrical Data

Current type		DC
Wiring		3-Wire
switching function		normally-open
Output signal		PNP
Rated operational voltage	V	24 DC
Rated operational current	mA	200
Supply voltage	V	10...30 DC
Ripple	%	≦ 20
Rated supply frequency	Hz	≦ 500
Minimum operational current	mA	0
No-load supply current	mA	<= 10
Off-state current	µA	<= 100
Voltage drop	V	<= 2
Short circuit protection		yes
Protected against polarity reversal		yes

08.02.2005 / Online-Information

