

# XECRO

most reliable sensor technology

inductive • capacitive • optoelectronics • touch 'n indicators



## Most Reliable Sensor Technology

- *electric field*
- *inductive*
- *capacitive*
- *optical*



## At a Glance

“Talent for innovation and customers orientation are the key factors of our success”

## Think for Technology

XECRO is an independent company with more than 15 years of experience in the sensor industry.

During the years XECRO expanded its knowledge and production line to one of the completest range of inductive and capacitive sensors in the automation industry; focusing on the highest performance available.

Our innovations in this technologies results as the thinnest and shortest sensors, quad sensing distances, high pressure and high temperature resistant proximity switches. XECRO develops, produces and commercializes industrial sensors and general industrial electronics worldwide.

## Global Organization

XECRO is one of the leading companies in inductive and capacitive technology and serves customers in Europe, North and Latin America, Asia, Africa and Middle East. The organization is regulated in accordance with the strict directives of ISO 9001-2000 .

XECROs headquarter located in Hanover, Germany, represents the focal point; our business counts with highly motivated management and working team: Financial and Sales dept., R & D, Customer Assistance, Shipping dept. and Warehouse are located in a modern 1100 square meter building. Customers can benefit from our synergic organization: the production is made by XECRO in Hanover, Germany and in collaboration with selected strategic production facilities inside the EU.

## Dynamic R & D

R & D resources are the heart of the company. Thanks to expertise, gained during the years, in implementing individual solutions for customer applications, we are able to adapt our products to almost any customer needs.

In close cooperation between our business partners and development department, XECRO delivers customized sensor solutions based on the following technologies:

- Electric-Field, human touch devices and touch panels
- Optical
  - dirt resistant
  - miniature construction
  - high temperature resistant
- Capacitive
  - highest performance
  - high temperature resistant
- Inductive
  - highest performance
  - metal face, one piece construction
  - high temperature resistant
  - high pressure proof
  - analog output
  - namur

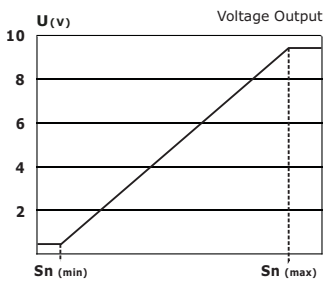
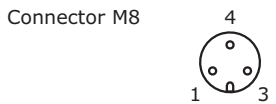
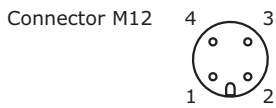
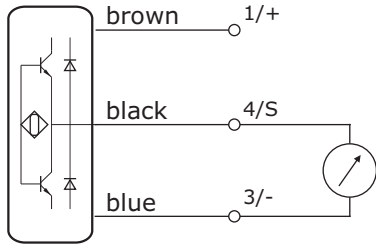
If special housings are required, we design them in 3D.

XECRO has rapid prototyping service for any shape and can provide IGES or STEP files in advance to check that the later integration is possible.

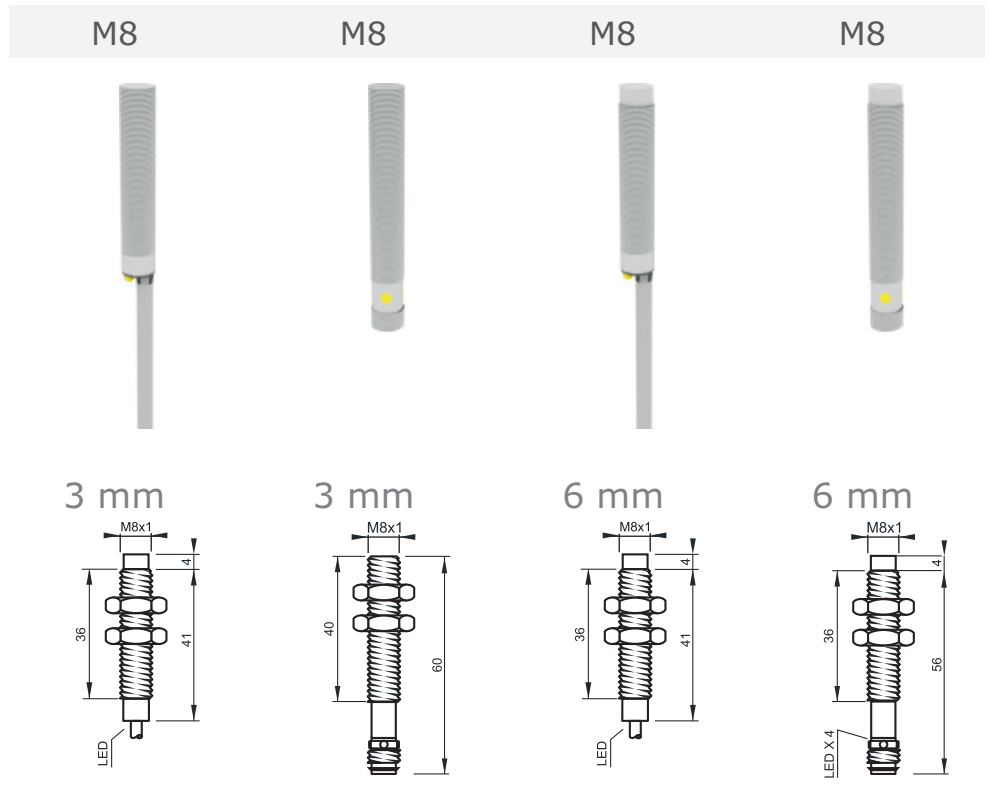
All XECRO products are built with the highest accuracy and are fully tested after production. The CE print on the products confirms with EU and EN standards and directives.



### Output Schematics



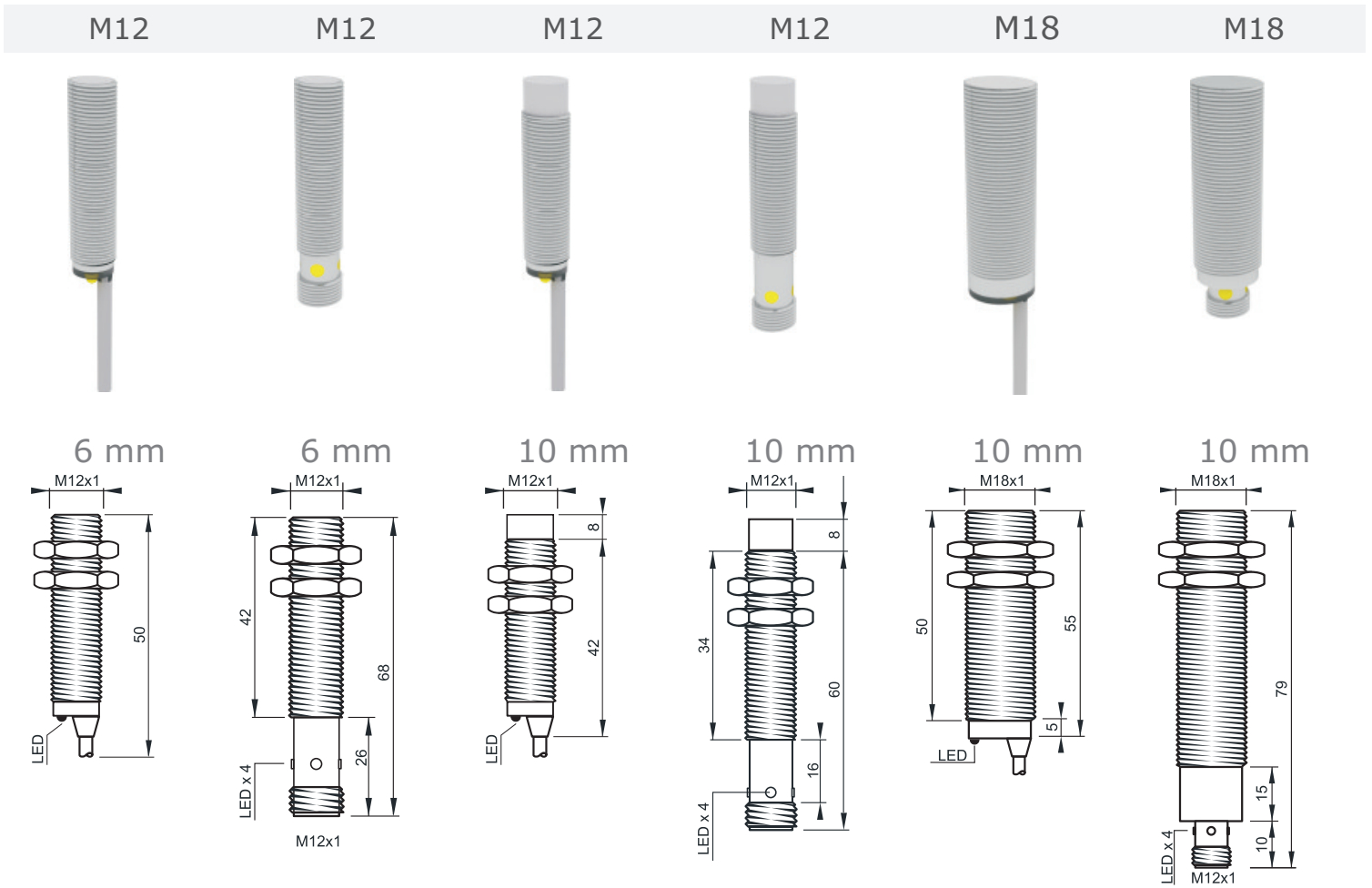
Not to be used for Safety Applications



SPECIFICATIONS	M8x1 Analog	M8x1 Analog	M8x1 Analog	M8x1 Analog
Measuring Distance	0...3 mm	0...3 mm	0...6 mm	0...6 mm
Mounting	Shielded	Shielded	Unshielded	Unshielded
Operating Voltage	18...30 VDC, 3-wire	18...30 VDC, 3-wire	18...30 VDC, 3-wire	18...30 VDC, 3-wire
Reverse Polarity Protection	built-in	built-in	built-in	built-in
Current Consumption	< 25 mA	< 25 mA	< 25 mA	< 25 mA
Load Resistor	> 2 kOhm	> 2 kOhm	> 2 kOhm	> 2 kOhm
Linearity	< 5 % (Sn)	< 5 % (Sn)	< 5 % (Sn)	< 5 % (Sn)
Repeatability	0.02 mm	0.02 mm	0.02 mm	0.02 mm
Output Following Frequency	100 Hz	100 Hz	100 Hz	100 Hz
Temperature Drift	< 5 % (Sn)	< 5 % (Sn)	< 5 % (Sn)	< 5 % (Sn)
Operating Temperature	0...+70 °C	0...+70 °C	0...+70 °C	0...+70 °C
Protection Class	IP67	IP67	IP67	IP67
Sensing Face Material	POM	POM	POM	POM
Housing Material	Chromed Brass	Chromed Brass	Chromed Brass	Chromed Brass
Connection	High-Flex PVC, 2m	Connector M8, 3-pole	High-Flex PVC, 2m	Connector M8, 3-pole
Output Indicator	-	-	-	-
<b>Article Code</b>				
PNP, Analog Voltage (0...10 VDC)	IA8-S3V010/N2P	IA8-S3V010/N8	IA8-N6V010/N2P	IA8-N6V010/N8

Recommended Connecting Cable - M8/3... - M8/3...

# Inductive Proximity Switches Analog Output

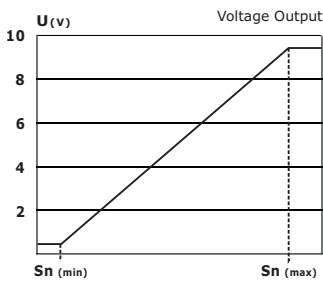
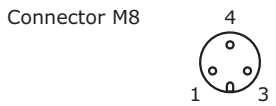
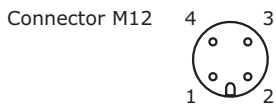
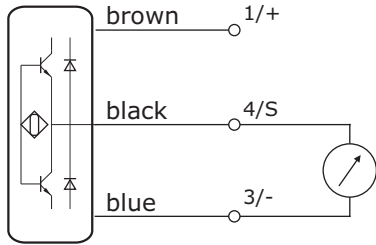


M12x1 Analog	M12x1 Analog	M12x1 Analog	M12x1 Analog	M18x1 Analog	M18x1 Analog
0...6 mm	0...6 mm	0...10 mm	0...10 mm	0...10 mm	0...10 mm
Shielded	Shielded	Unshielded	Unshielded	Shielded	Shielded
18...30 VDC, 3-wire built-in	18...30 VDC, 3-wire built-in	18...30 VDC, 3-wire built-in	18...30 VDC, 3-wire built-in	18...30 VDC, 3-wire built-in	18...30 VDC, 3-wire built-in
< 25 mA	< 25 mA	< 25 mA	< 25 mA	< 25 mA	< 25 mA
> 2 kOhm	> 2 kOhm	> 2 kOhm	> 2 kOhm	> 2 kOhm	> 2 kOhm
< 5 % (Sn)	< 5 % (Sn)	< 5 % (Sn)	< 5 % (Sn)	< 5 % (Sn)	< 5 % (Sn)
0.02 mm	0.02 mm	0.02 mm	0.02 mm	0.02 mm	0.02 mm
100 Hz	100 Hz	100 Hz	100 Hz	100 Hz	100 Hz
< 5 % (Sn)	< 5 % (Sn)	< 5 % (Sn)	< 5 % (Sn)	< 5 % (Sn)	< 5 % (Sn)
0...+70 °C	0...+70 °C	0...+70 °C	0...+70 °C	0...+70 °C	0...+70 °C
IP67	IP67	IP67	IP67	IP67	IP67
POM	POM	POM	POM	POM	POM
Chromed Brass	Chromed Brass	Chromed Brass	Chromed Brass	Chromed Brass	Chromed Brass
High-Flex PVC, 2m	Connector M12, 4-pole	High-Flex PVC, 2m	Connector M12, 4-pole	High-Flex PVC, 2m	Connector M12, 4-pole
-	-	-	-	-	-

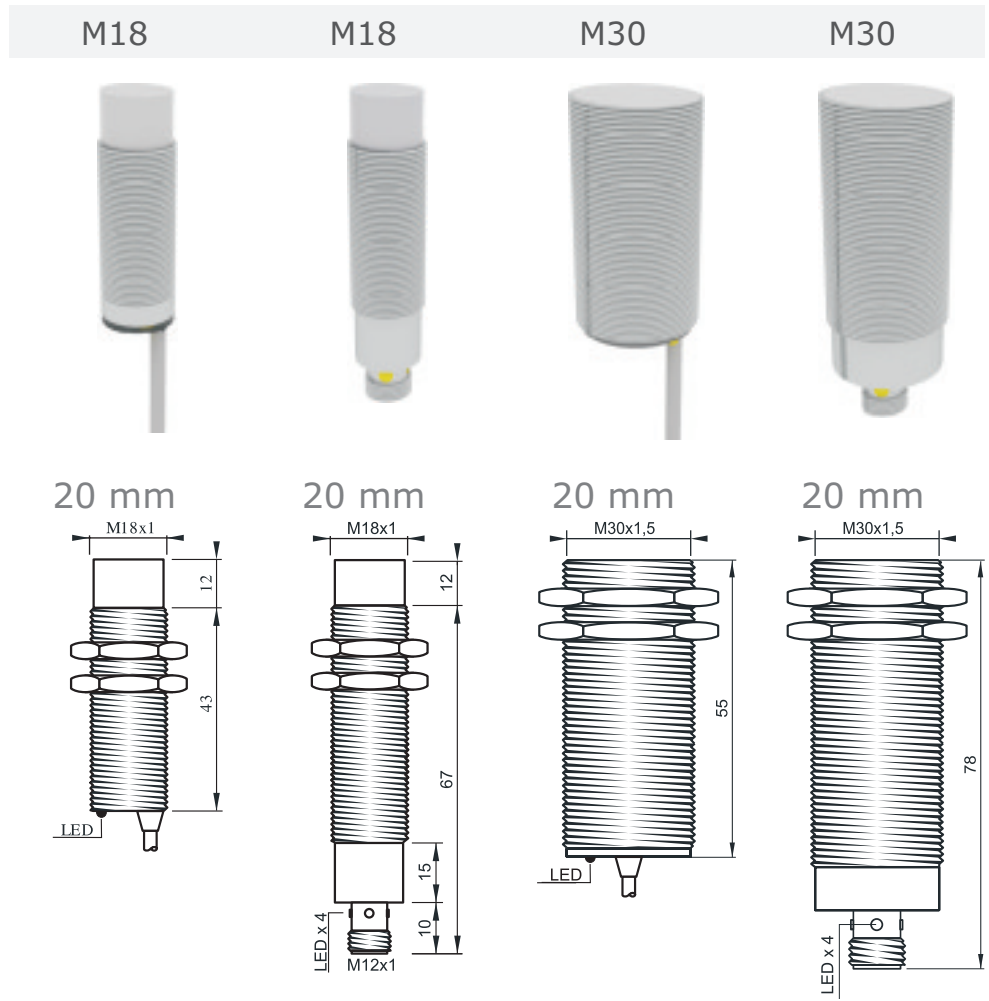
IA12-S6V010/N2P    IA12-S6V010/N12    IA12-N10V010/N2P    IA12-N10V010/N12    IA18-S10V010/N2P    IA18-S10V010/N12

-    M12/3...    -    M12/3...    -    M12/3...

### Output Schematics



Not to be used for Safety Applications



### SPECIFICATIONS

	M18x1 Analog	M18x1 Analog	M30x1.5 Analog	M30x1.5 Analog
Measuring Distance	0...20 mm	0...20 mm	0...20 mm	0...20 mm
Mounting	Unshielded	Unshielded	Shielded	Shielded
Operating Voltage	18...30 VDC, 3-wire	18...30 VDC, 3-wire	18...30 VDC, 3-wire	18...30 VDC, 3-wire
Reverse Polarity Protection	built-in	built-in	built-in	built-in
Current Consumption	< 25 mA	< 25 mA	< 25 mA	< 25 mA
Load Resistor	> 2 kOhm	> 2 kOhm	> 2 kOhm	> 2 kOhm
Linearity	< 5 % (Sn)	< 5 % (Sn)	< 5 % (Sn)	< 5 % (Sn)
Repeatability	0.02 mm	0.02 mm	0.02 mm	0.02 mm
Output Following Frequency	100 Hz	100 Hz	100 Hz	100 Hz
Temperature Drift	< 5 % (Sn)	< 5 % (Sn)	< 5 % (Sn)	< 5 % (Sn)
Operating Temperature	0...+70 °C	0...+70 °C	0...+70 °C	0...+70 °C
Protection Class	IP67	IP67	IP67	IP67
Sensing Face Material	POM	POM	POM	POM
Housing Material	Chromed Brass	Chromed Brass	Chromed Brass	Chromed Brass
Connection	High-Flex PVC, 2m	Connector M12, 4-pole	High-Flex PVC, 2m	Connector M12, 4-pole
Output Indicator	-	-	-	-
<b>Article Code</b>				
PNP, Analog Voltage (0...10 VDC)	IA18-N20V010/N2P	IA18-N20V010/M12	IA30-S20V010/N2P	IA30-S20V010/M12

Recommended Connecting Cable

-

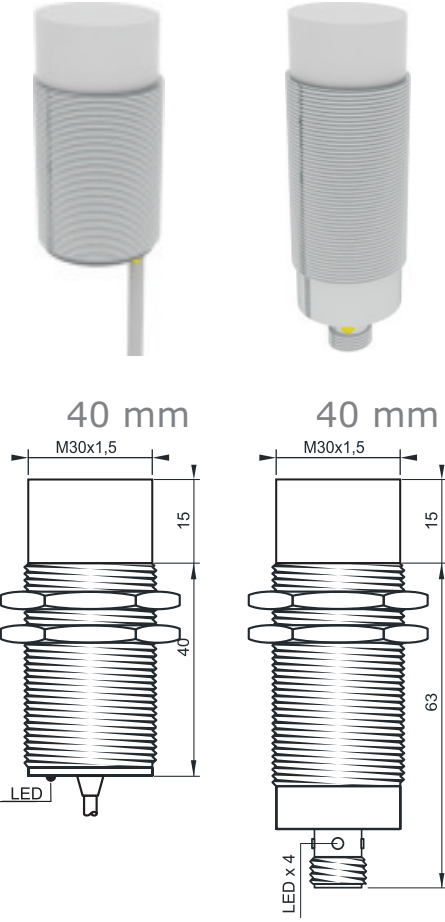
M12/3...

-

M12/3...

# Inductive Proximity Switches Analog Output

M30 M30



M30x1.5 Analog	M30x1.5 Analog
0...40 mm	0...40 mm
Unshielded	Unshielded
18...30 VDC, 3-wire built-in	18...30 VDC, 3-wire built-in
< 25 mA	< 25 mA
> 2 kOhm	> 2 kOhm
< 5 % (Sn)	< 5 % (Sn)
0.02 mm	0.02 mm
100 Hz	100 Hz
< 5 % (Sn)	< 5 % (Sn)
0...+70 °C	0...+70 °C
IP67	IP67
POM	POM
Chromed Brass	Chromed Brass
High-Flex PVC, 2m	Connector M12, 4-pole
-	-

IA30-N40V010/N2P	IA30-N40V010/M12
------------------	------------------

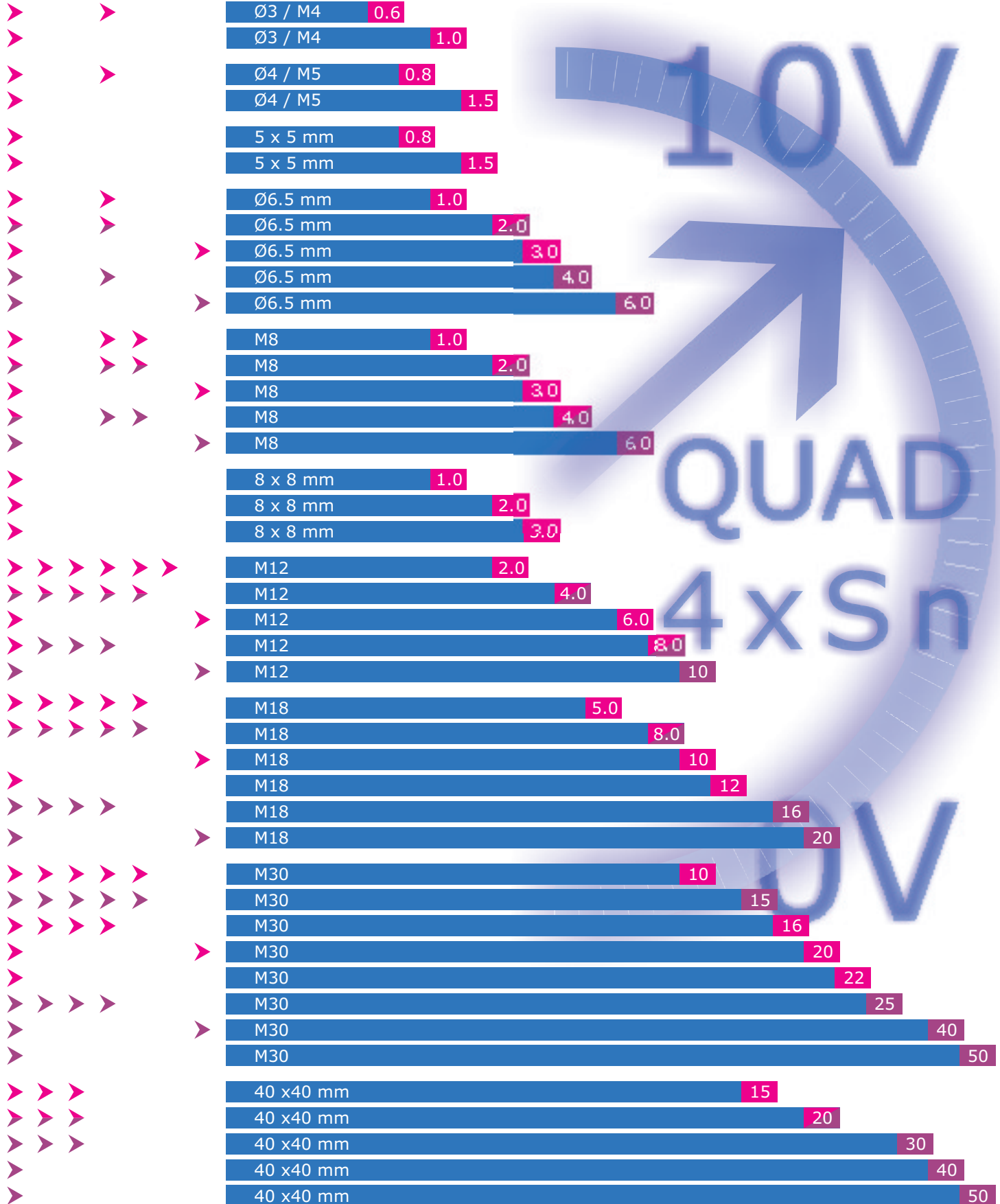
- M12/3...

## INDUCTIVE SENSORS

PNP / NPN  
2-wire DC  
2-wire AC  
NAMUR  
Temperature Proof  
Pressure Proof  
Analog Voltage

SHIELDED  
UNSHIELDED

0.6 mm 0.8 mm 1.0 mm 1.5 mm 2.0 mm 3.0 mm 4.0 mm 5.0 mm 6.0 mm 8.0 mm 10 mm 12 mm 15 mm 16 mm 20 mm 22 mm 25 mm 30 mm 40 mm 50 mm





FOREST  
STEWARDSHIP  
COUNCIL

Printed in Europe



This catalog has been printed with environmentally friendly inks on paper that has archived FSC Certification. Even if so - think twice before you throw this away.

# XECRO

most reliable sensor technology

inductive • capacitive • optoelectronics • touch 'n indicators

**XECRO GmbH**

Doehrbruch 24

30559 Hannover, Germany

Phone +49 511 696041040

Fax +49 511 6960410409

info@xecro.com

<http://www.xecro.com>

