

**XECRO**  
most reliable sensor technology



## Most Reliable Sensor Technology

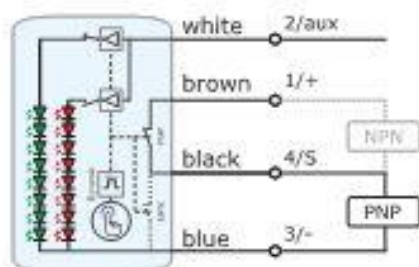
- *electric field*
- *inductive*
- *capacitive*
- *optical*



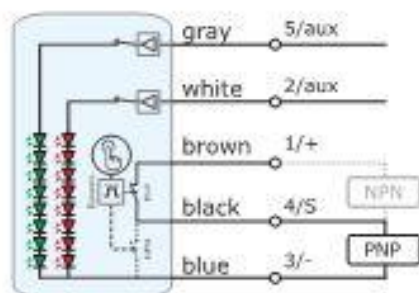
### Dynamic

### Static

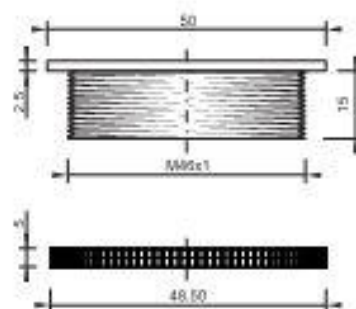
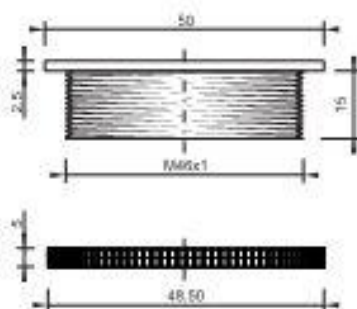
#### Schematic 1



#### Schematic 2



Connector M8



### SPECIFICATIONS

Operating Voltage  
Current Consumption  
Output Current, PNP  
Voltage Drop, PNP  
Output Current, Relays  
Voltage Drop, Relays  
Auxiliary Input  
Impulse Duration  
Number of Operations  
Internal Schematic  
Operating Temperature  
Front Window  
Housing Material  
Protection Class  
Connected

#### Article Code

PNP, Normally Open  
PNP, Normally Closed  
NPN, Normally Open  
NPN, Normally Closed  
Relay, ON REQUEST

Symbol Specification Code

#### Dynamic Operation

14... 30 VDC  
< 70 mA  
200 mA, short-circuit-proof  
2.5V @200mA  
30 mA @ 24 VAC, short-circuit-proof  
0.5V @30mA  
> 9 VDC, 1 mA @ 30 V  
300 ms  
Unlimited  
1 or 2 are possible selections - replace (\*)  
-40... +55 °C | -40 °F... +131 °F  
Polycarbonate  
Stainless Steel  
Front: IP 68, Back: IP67, IK09  
See next Pages

M046D T(\*)VPOGR  
M046D T(\*)VPCGR  
M046D T(\*)VNOGR  
M046D T(\*)VNCGR  
please call

See next Pages

#### Static Operation

14... 30 VDC  
< 70 mA  
200 mA, short-circuit-proof  
2.5V @200mA  
30 mA @ 24 VAC, short-circuit-proof  
0.5V @30mA  
> 9 VDC, 1 mA @ 30 V  
Continuous  
Unlimited  
1 or 2 are possible selections - replace (\*)  
-40... +55 °C | -40 °F... +131 °F  
Polycarbonate  
Stainless Steel  
Front: IP 68, Back: IP67, IK09  
See next Pages

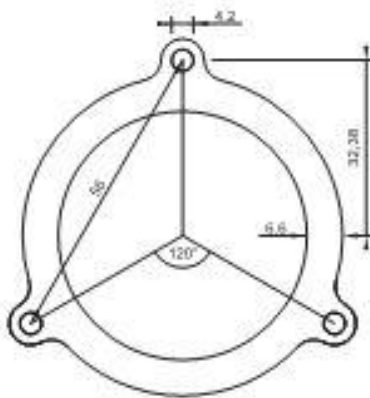
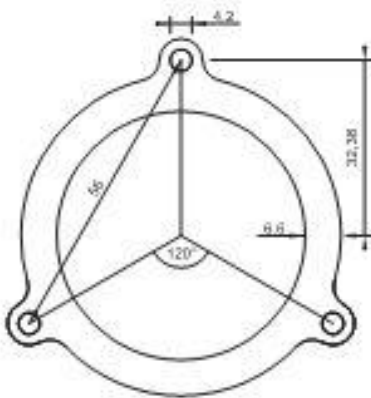
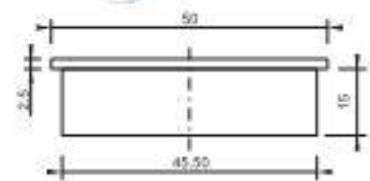
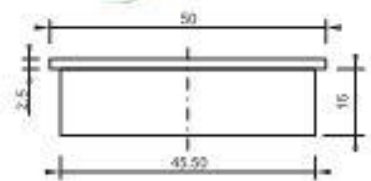
M046S T(\*)VPOGR  
M046S T(\*)VPCGR  
M046S T(\*)VNOGR  
M046S T(\*)VNCGR  
please call

See next Pages

# DuraTouch® - Machine Operation Touch Interfaces and Indicators

## Dynamic

## Static



**Touch Operation**  
acting without tiring

**Optical Feedback**  
clearly visible - very bright

**Shock Resistant**  
vandal-proof construction

**Solid State Design**  
absolutely no moving parts

**100% Oil-Tight**  
completely sealed enclosure

**Wide-Angle Optics**  
LEDs with 360° micro mirrors

**Constant Brightness**  
varying voltage has no effect

**Versatile Concept**  
we make custom configurations

### Dynamic Operation

14... 30 VDC  
 < 70 mA  
 200 mA, short-circuit-proof  
 2.5V @200mA  
 30 mA @ 24 VAC, short-circuit-proof  
 0.5V @30mA  
 > 9 VDC, 1 mA @ 30 V  
 300 ms  
 Unlimited  
 1 or 2 are possible selections - replace (\*)  
 -40... +55 °C | -40 °F... +131 °F  
 Polycarbonate  
 Stainless Steel  
 Front: IP 68, Back: IP67, IK09  
 See next Pages

MO46D B(\*)VPOGR  
 MO46D B(\*)VPCGR  
 MO46D B(\*)VNOGR  
 MO46D B(\*)VNCGR  
 please call

### Static Operation

14... 30 VDC  
 < 70 mA  
 200 mA, short-circuit-proof  
 2.5V @200mA  
 30 mA @ 24 VAC, short-circuit-proof  
 0.5V @30mA  
 > 9 VDC, 1 mA @ 30 V  
 Continuous  
 Unlimited  
 1 or 2 are possible selections - replace (\*)  
 -40... +55 °C | -40 °F... +131 °F  
 Polycarbonate  
 Stainless Steel  
 Front: IP 68, Back: IP67, IK09  
 See next Pages

MO46S B(\*)VPOGR  
 MO46S B(\*)VPCGR  
 MO46S B(\*)VNOGR  
 MO46S B(\*)VNCGR  
 please call

The **DuraTouch®** switch from Xecro designs-in E Field Technology a near field effect smart circuitry to determine the presence of a conductive mass - like a human hand or finger, grounded metal or liquid.

As soon as a hand or finger touches the surface, the switch detects the presence and instantly indicates this event.

Due to the physical non-pressure technology, the switches can be operated without fatigue. Their solid-state design with no moving parts inside allows unlimited operations with no wear. They are not affected by loose clothing, debris etc, objects which accidentally activate optical sensors type.

DuraTouch® switches with Dynamic operation are typical start-buttons for machine operation where a single impulse is required to start a process. DuraTouch® switches with Static operation activate their output as long as the operator touches them. They're used where a longer signal with no tiring is required.

**Schematic 1** turns on the green LEDs at full brightness as soon as the device gets powered. When the DuraTouch is operated, it turns off the green segment and activates the red LEDs; the dynamic version for 300ms only and returns then to the prior state.

**Schematic 2** disconnects all LEDs completely from the internal signal processing. External positive voltages at the auxiliary inputs will constantly turn on their corresponding LEDs as long as the signal is present.

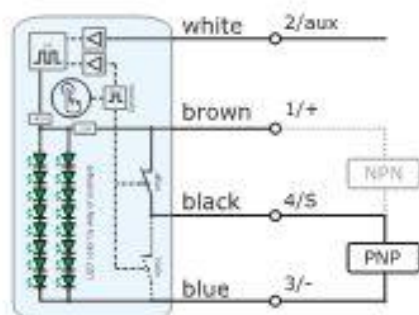
See next Pages

See next Pages

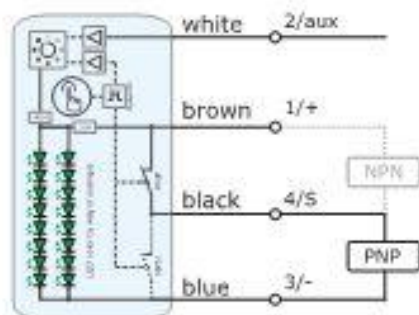
### Dynamic

### Static

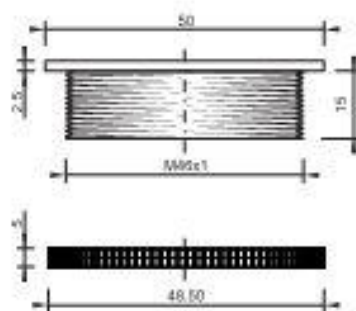
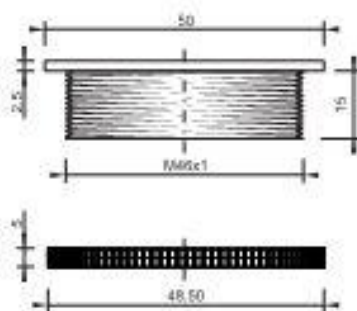
#### Schematic 3



#### Schematic 4



Connector M8



### SPECIFICATIONS

Operating Voltage  
Current Consumption  
Output Current, PNP  
Voltage Drop, PNP  
Output Current, Relays  
Voltage Drop, Relays  
Auxiliary Input  
Impulse Duration  
Number of Operations  
Internal Schematic  
Operating Temperature  
Front Window  
Housing Material  
Protection Class  
Connected

#### Article Code

PNP, Normally Open  
PNP, Normally Closed  
NPN, Normally Open  
NPN, Normally Closed  
Relay, ON REQUEST

Symbol Specification Code

#### Dynamic Operation

14... 30 VDC  
< 70 mA  
200 mA, short-circuit-proof  
2.5V @200mA  
30 mA @ 24 VAC, short-circuit-proof  
0.5V @30mA  
> 9 VDC, 1 mA @ 30 V  
300 ms  
Unlimited  
1 or 2 are possible selections - replace (\*)  
-40... +55 °C | -40 °F... +131 °F  
Polycarbonate  
Stainless Steel  
Front: IP 68, Back: IP67, IK09  
See next Pages

M046D T(\*)VPOGG  
M046D T(\*)VPCGG  
M046D T(\*)VNOGG  
M046D T(\*)VNCGG  
please call

See next Pages

#### Static Operation

14... 30 VDC  
< 70 mA  
200 mA, short-circuit-proof  
2.5V @200mA  
30 mA @ 24 VAC, short-circuit-proof  
0.5V @30mA  
> 9 VDC, 1 mA @ 30 V  
Continuous  
Unlimited  
1 or 2 are possible selections - replace (\*)  
-40... +55 °C | -40 °F... +131 °F  
Polycarbonate  
Stainless Steel  
Front: IP 68, Back: IP67, IK09  
See next Pages

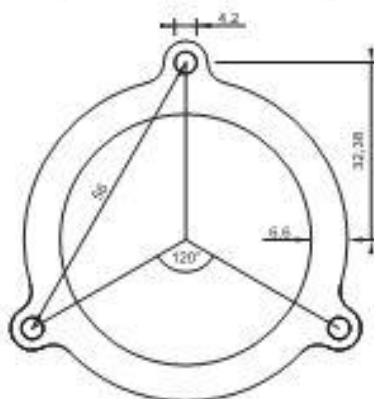
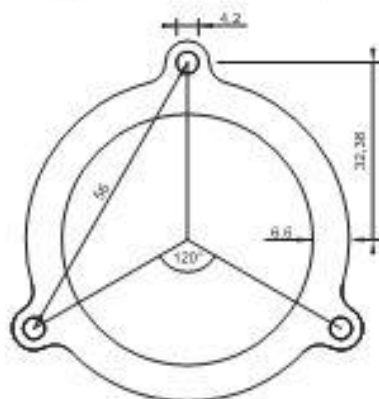
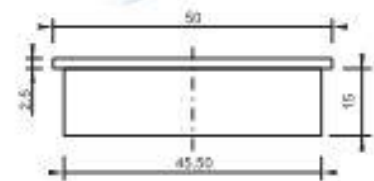
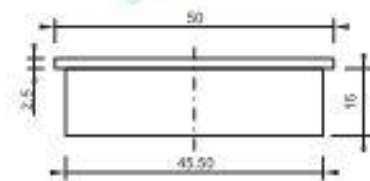
M046S T(\*)VPORR  
M046S T(\*)VPCRR  
M046S T(\*)VNOORR  
M046S T(\*)VNCRR  
please call

See next Pages

# DuraTouch® - Machine Operation Touch Interfaces and Indicators

## Dynamic

## Static



### Touch Operation

acting without tiring

### Optical FeedBack

clearly visible - very bright

### Shock Resistant

vandal-proof construction

### Solid State Design

absolutely no moving parts

### 100% Oil-Tight

completely sealed enclosure

### Wide-Angle Optics

LEDs with 360° micro mirrors

### Constant Brightness

varying voltage has no effect

### Versatile Concept

we make custom configurations

### Dynamic Operation

14... 30 VDC  
 < 70 mA  
 200 mA, short-circuit-proof  
 2.5V @200mA  
 30 mA @ 24 VAC, short-circuit-proof  
 0.5V @30mA  
 > 9 VDC, 1 mA @ 30 V  
 300 ms  
 Unlimited  
 1 or 2 are possible selections - replace (\*)  
 -40... +55 °C | -40 °F... +131 °F  
 Polycarbonate  
 Stainless Steel  
 Front: IP 68, Back: IP67, IK09  
 See next Pages

MO46D B(\*)VPOBB  
 MO46D B(\*)VPCBB  
 MO46D B(\*)VNOBB  
 MO46D B(\*)VNCBB  
 please call

### Static Operation

14... 30 VDC  
 < 70 mA  
 200 mA, short-circuit-proof  
 2.5V @200mA  
 30 mA @ 24 VAC, short-circuit-proof  
 0.5V @30mA  
 > 9 VDC, 1 mA @ 30 V  
 Continuous  
 Unlimited  
 1 or 2 are possible selections - replace (\*)  
 -40... +55 °C | -40 °F... +131 °F  
 Polycarbonate  
 Stainless Steel  
 Front: IP 68, Back: IP67, IK09  
 See next Pages

MO46S B(\*)VPORR  
 MO46S B(\*)VPCRR  
 MO46S B(\*)VNORR  
 MO46S B(\*)VNCRR  
 please call

The **DuraTouch®** switch from Xecro designs-in E Field Technology a near field effect smart circuitry to determine the presence of a conductive mass - like a human hand or finger, grounded metal or liquid.

As soon as a hand or finger touches the surface, the switch detects the presence and instantly indicates this event.

Due to the physical non-pressure technology, the switches can be operated without fatigue. Their solid-state design with no moving parts inside allows unlimited operations with no wear. They are not affected by loose clothing, debris etc, objects which accidentally activate optical sensors type.

DuraTouch® switches with Dynamic operation are typical start-buttons for machine operation where a single impulse is required to start a process. DuraTouch® switches with Static operation activate their output as long as the operator touches them. They're used where a longer signal with no tiring is required.

**Schematic 3** keeps all LEDs turned on at low intensity. When the DuraTouch® is operated, it emits a single bright impulse (Dynamic) or constantly blinks brightly at ~1 Hz (Static).

**Schematic 4** keeps all LEDs turned on at low intensity. When the DuraTouch® is operated, it flickers at high brightness for 300ms (Dynamic) or as long as the trigger is present (Static).

A positive voltage level at the auxiliary input causes the DuraTouch® to blink/flicker. AUX is independent from the working principle of the switch and therefore drives the LEDs as long as the external signal is present.

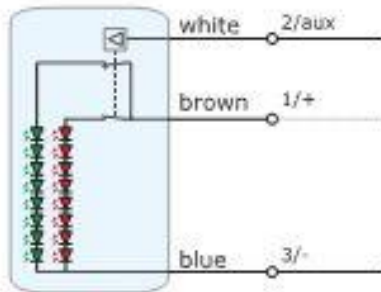
See next Pages

See next Pages

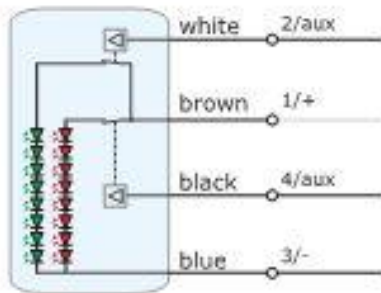
Dynamic

Static

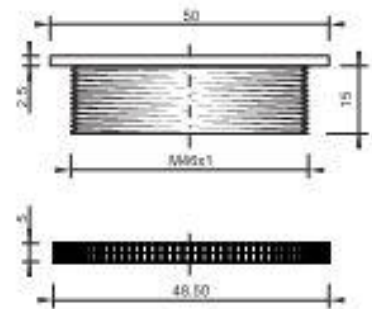
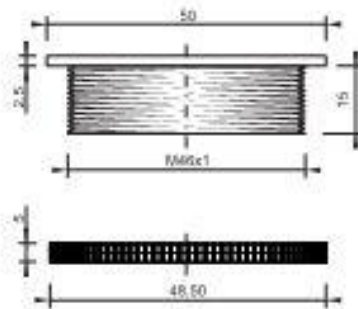
Schematic 1



Schematic 2



Connector M8



**SPECIFICATIONS**

Operating Voltage  
Current Consumption  
Auxiliary Input Threshold  
Auxiliary Input Current  
Blinking Frequency

Constant Light

14... 30 VDC  
< 70 mA  
> 9 VDC  
1 mA @ 30 V  
-

Constant Light

14... 30 VDC  
< 70 mA  
> 9 VDC  
1 mA @ 30 V  
-

Operating Temperature  
Front Window  
Housing Material  
Mechanical Protection  
Protection Class

-40... +55 °C | -40 °F... +131 °F  
Polycarbonate  
Stainless Steel  
IK09  
Front: IP 68, Back: IP67

-40... +55 °C | -40 °F... +131 °F  
Polycarbonate  
Stainless Steel  
IK09  
Front: IP 68, Back: IP67

**Article Code**

50% Blue (470 nm), 50% RED (624 nm)  
50% Green (530 nm), 50% RED (624 nm)  
50% Blue (470 nm), 50% Green (530 nm)  
50% White, 50% RED (624 nm)

SLH46 T1-VBR/  
SLH46 T1-VGR/  
SLH46 T1-VBG/  
SLH46 T1-VWR/

SLH46 T2-VBR/  
SLH46 T2-VGR/  
SLH46 T2-VBG/  
SLH46 T2-VWR/

Connection  
Symbol Specification Code

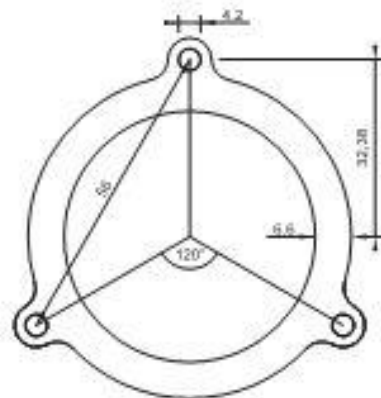
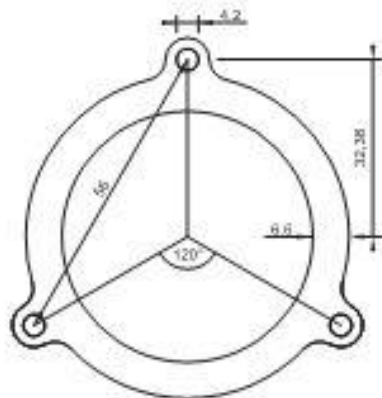
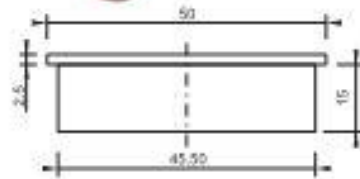
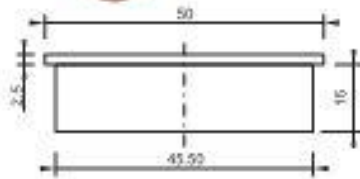
See next Pages  
See next Pages

See next Pages  
See next Pages

# DuraTouch® - Machine Operation Dual Color LED Indicators

## Dynamic

## Static



**Single or Dual Color**  
flexible illumination concept

**Optical Feedback**  
clearly visible - very bright

**Shock Resistant**  
vandal-proof construction

**Solid State Design**  
absolutely no moving parts

**100% Oil-Tight**  
completely sealed enclosure

**Wide-Angle Optics**  
LEDs with 360° micro mirrors

**Constant Brightness**  
varying voltage has no effect

**Versatile Concept**  
we make custom configurations

### Constant Light

14... 30 VDC  
< 70 mA  
> 9 VDC  
1 mA @ 30 V

### Constant Light

14... 30 VDC  
< 70 mA  
> 9 VDC  
1 mA @ 30 V

-40... +55 °C | -40 °F... +131 °F

Polycarbonate  
Stainless Steel  
IK09

Front: IP 68, Back: IP67

SLH46 B1-VBR/  
SLH46 B1-VGR/  
SLH46 B1-VBG/  
SLH46 B1-VWR/

See next Pages  
See next Pages

-40... +55 °C | -40 °F... +131 °F

Polycarbonate  
Stainless Steel  
IK09

Front: IP 68, Back: IP67

SLH46 B2-VBR/  
SLH46 B2-VGR/  
SLH46 B2-VBG/  
SLH46 B2-VWR/

See next Pages  
See next Pages

These extremely bright LED-Indicators are available with 16 ultra-bright LED of a single color or with two different alternating colors. Both versions have an auxiliary input to activate the LEDs.

**Schematic 1** turns the LED on as long as the external signal is present.

**Schematic 2** starts blinking with a frequency of 1 Hz as soon as the external input is active.

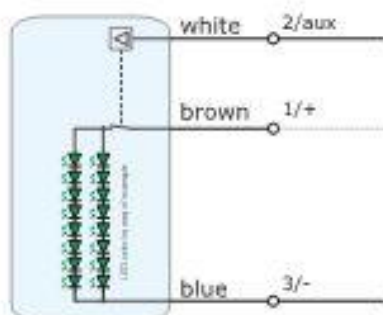
These reliable indicators fit into the same mounting holes the Ø46 mm **DuraTouch®** uses.

Each indicator additionally can be upgraded with a pictogram to point the meaning of it even more.

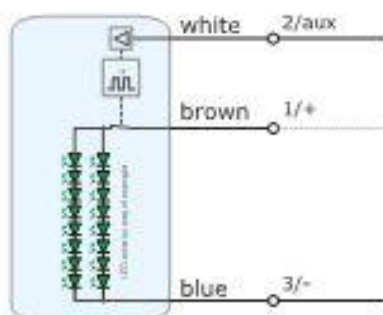
### Dynamic

### Static

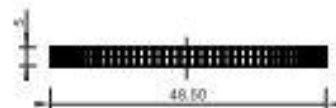
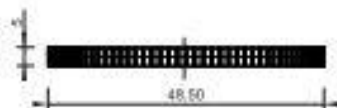
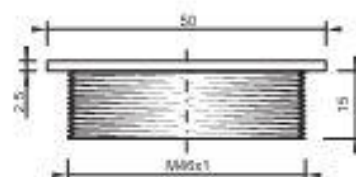
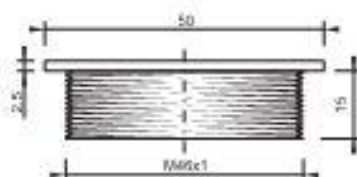
#### Schematic 3



#### Schematic 4



Connector M8



### SPECIFICATIONS

Operating Voltage  
Current Consumption  
Auxiliary Input Threshold  
Auxiliary Input Current  
Blinking Frequency

#### Constant Light

14... 30 VDC  
< 70 mA  
> 9 VDC  
1 mA @ 30 V  
-

#### Blinking when activated

14... 30 VDC  
< 70 mA  
> 9 VDC  
1 mA @ 30 V  
1 Hz

Operating Temperature  
Front Window  
Housing Material  
Mechanical Protection  
Protection Class

-40... +55 °C | -40 °F... +131 °F  
Polycarbonate  
Stainless Steel  
IK09  
Front: IP 68, Back: IP67

-40... +55 °C | -40 °F... +131 °F  
Polycarbonate  
Stainless Steel  
IK09  
Front: IP 68, Back: IP67

#### Article Code

100% RED (624 nm)  
100% GREEN (530 nm)  
100% YELLOW (589 nm)  
100% BLUE (470 nm)  
100% WHITE

SLH46 T1-VRR/  
SLH46 T1-VGG/  
SLH46 T1-VYY/  
SLH46 T1-VBB/  
SLH46 T1-VBB/

SLH46 T2-VRR-1/  
SLH46 T2-VGG-1/  
SLH46 T2-VYY-1/  
SLH46 T2-VBB-1/  
SLH46 T2-VBB-1/

Connection  
Symbol Specification Code

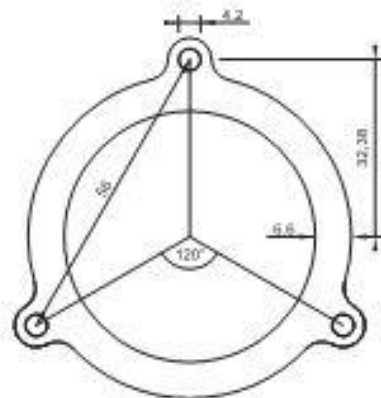
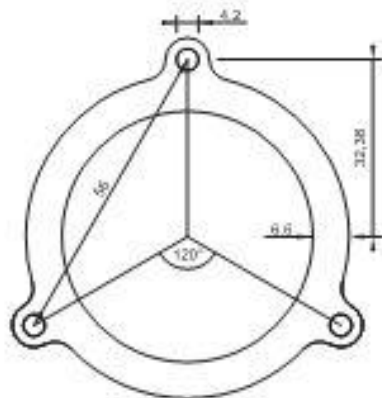
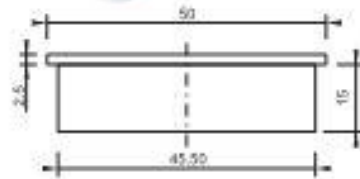
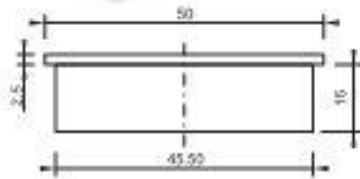
See next Pages  
See next Pages

See next Pages  
See next Pages

# DuraTouch® - Machine Operation Single Color LED Indicators

## Dynamic

## Static



**Single or Dual Color**  
flexible illumination concept

**Optical FeedBack**  
clearly visible - very bright

**Shock Resistant**  
vandal-proof construction

**Solid State Design**  
absolutely no moving parts

**100% Oil-Tight**  
completely sealed enclosure

**Wide-Angle Optics**  
LEDs with 360° micro mirrors

**Constant Brightness**  
varying voltage has no effect

**Versatile Concept**  
we make custom configurations

### Constant Light

14... 30 VDC  
< 70 mA  
> 9 VDC  
1 mA @ 30 V

### Blinking when activated

14... 30 VDC  
< 70 mA  
> 9 VDC  
1 mA @ 30 V  
1 Hz

-40... +55 °C | -40 °F... +131 °F

Polycarbonate  
Stainless Steel  
IK09

Front: IP 68, Back: IP67

SLH46 B1-VRR/  
SLH46 B1-VGG/  
SLH46 B1-VYY/  
SLH46 B1-VBB/  
SLH46 B1-VBB/

See next Pages  
See next Pages

-40... +55 °C | -40 °F... +131 °F

Polycarbonate  
Stainless Steel  
IK09

Front: IP 68, Back: IP67

SLH46 B2-VRR-1/  
SLH46 B2-VGG-1/  
SLH46 B2-VYY-1/  
SLH46 B2-VBB-1/  
SLH46 B2-VBB-1/

See next Pages  
See next Pages

These extremely bright LED-Indicators are available with 16 ultra-bright LED of a single color or with two different alternating colors. Both versions have an auxiliary input to activate the LEDs.

**Schematic 1** turns the LED on as long as the external signal is present.

**Schematic 2** starts blinking with a frequency of 1 Hz as soon as the external input is active.

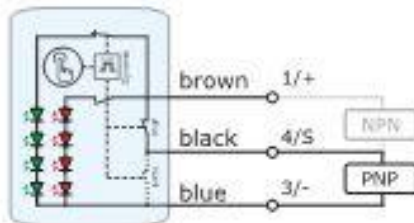
These reliable indicators fit into the same mounting holes the Ø46 mm **DuraTouch®** uses.

Each indicator additionally can be upgraded with a pictogram to point the meaning of it even more.

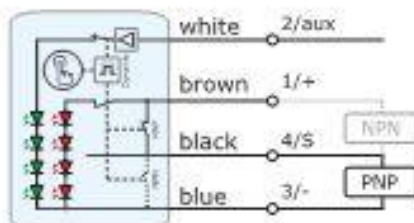
Dynamic

Static

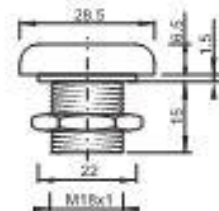
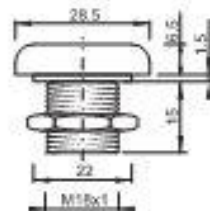
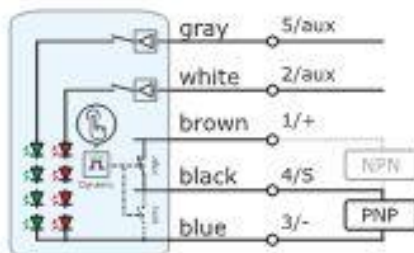
Schematic 0



Schematic 1



Schematic 2

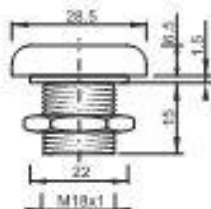


**SPECIFICATIONS**

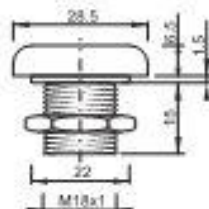
	Dynamic Operation	Static Operation
Operating Voltage	14... 30 VDC	14... 30 VDC
Current Consumption	< 30 mA	< 30 mA
PNPN, Output Current	400 mA, short-circuit-proof	400 mA, short-circuit-proof
Relay, Output Current	> 30 mA @ 24 VAC, short-circuit-proof	> 30 mA @ 24 VAC, short-circuit-proof
Voltage Drop	PNPN: 2.5V @600mA Relay:0.5V @30mA	PNPN: 2.5V @600mA Relay:0.5V @30mA
Auxiliary Input High Voltage	< 7 VDC	< 7 VDC
Auxiliary Input Current	0.5 mA @ 30 V	0.5 mA @ 30 V
Impulse Duration	300 ms	Continuous
Number of Operations	Unlimited	Unlimited
Internal Schematic	1 to 3 are possible selections - replace (*)	1 to 3 are possible selections - replace (*)
Operating Temperature	-40... +55 °C   -40 °F... +131 °F	-40... +55 °C   -40 °F... +131 °F
Front Window	Polycarbonate	Polycarbonate
Housing Material	Stainless Steel	Stainless Steel
Protection Class	Front: IP 68, Back: IP67, IK09	Front: IP 68, Back: IP67, IK09
Connected	See next Pages	See next Pages
<b>Article Code</b>		
PNP, Normally Open	MO22D T(*)VPOGR	MO22S T(*)VPOGR
PNP, Normally Closed	MO22D T(*)VPCGR	MO22S T(*)VPCGR
NPN, Normally Open	MO22D T(*)VNOGR	MO22S T(*)VNOGR
NPN, Normally Closed	MO22D T(*)VNCGR	MO22S T(*)VNCGR
Relay, Normally Open (n.a. Schematic 2)	MO22D T(*)VROGR	MO22S T(*)VROGR
Relay, Normally Closed (n.a. Schematic 2)	MO22D T(*)VRCGR	MO22S T(*)VRCGR
<b>Symbol Specification Code</b>	See next Pages	See next Pages

# DuraTouch® - Machine Operation Touch Interfaces and Indicators

## Toggle



## Combo



### Touch Operation

acting without tiring

### Optical Feedback

clearly visible - homogeneous

### Shock Resistant

vandal-proof construction

### Solid State Design

absolutely no moving parts

### 100% Oil-Tight

completely sealed enclosure

### Versatile Concept

pure multi-LED indicators available

### Constant Brightness

varying voltage has no effect

### Compatible

Siemens  
Moeller

fits into standard Ø22.5mm holes

#### Latched Operation

14... 30 VDC  
 < 30 mA  
 400 mA, short-circuit-proof  
 > 30 mA @ 24 VAC, short-circuit-proof  
 PNP: 2.5V @600mA Relay:0.5V @30mA  
 < 7 VDC  
 0.5 mA @ 30 V  
 Continuous  
 Unlimited  
 1 to 3 are possible selections - replace (\*)  
 -40... +55 °C | -40 °F... +131 °F  
 Polycarbonate  
 Stainless Steel  
 Front: IP 68, Back: IP67, IK09  
 See next Pages

MO22T T(\*)VPOGR  
 MO22T T(\*)VPCGR  
 MO22T T(\*)VNOGR  
 MO22T T(\*)VNCGR  
 MO22T T(\*)VROGR  
 MO22T T(\*)VRCGR

See next Pages

#### Combined Operation

14... 30 VDC  
 < 30 mA  
 400 mA, short-circuit-proof  
 > 30 mA @ 24 VAC, short-circuit-proof  
 PNP: 2.5V @600mA Relay:0.5V @30mA  
 < 7 VDC  
 0.5 mA @ 30 V  
 Continuous  
 Unlimited  
 1 to 3 are possible selections - replace (\*)  
 -40... +55 °C | -40 °F... +131 °F  
 Polycarbonate  
 Stainless Steel  
 Front: IP 68, Back: IP67, IK09  
 See next Pages

MO22C T(\*)VPOGR  
 MO22C T(\*)VPCGR  
 MO22C T(\*)VNOGR  
 MO22C T(\*)VNCGR  
 MO22C T(\*)VROGR  
 MO22C T(\*)VRCGR

See next Pages

The **DuraTouch®** switch from Xetra designs-in E Field Technology a near field effect smart circuitry to determine the presence of a conductive mass - like a human hand or finger, grounded metal or liquid.

As soon as a hand or finger touches the surface, the switch detects the presence and instantly indicates this event.

Due to the physical non-pressure technology, the switches can be operated without fatigue. Their solid-state design with no moving parts inside allows unlimited operations with no wear. They are not affected by loose clothing, debris etc, objects which accidentally activate optical sensors type.

DuraTouch® switches with Dynamic operation are typical start-buttons for machine operation where a single impulse is required to start a process.

DuraTouch® switches with Static operation activate their output as long as the operator touches them. They're used where a longer signal with no tiring is required. This series also can **toggle** the output each time the surface is touched. **Combo** can be used as a static switch where the output is active as long as the switch is operated. A fast double touch latches the switch with permanent On-state from where it gets released by an additional touch.

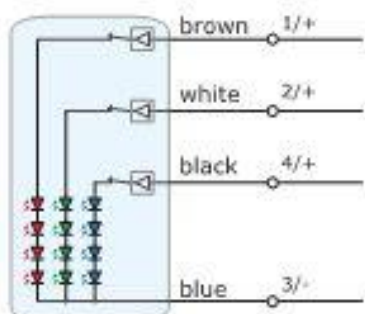
**Schematic 0** turns on the green LEDs as soon as the device gets powered.

**Schematic 1** turns on the green LEDs as soon as aux gets active.

The indicated color changes from green to red as long as the output is activated.

**Schematic 2** disconnects all LEDs from the internal signal processing. External positive voltages at the **auxiliary** inputs will constantly turn on their corresponding LEDs as long as the signal is present.

### Schematic



#### Shock Resistant

vandal-proof construction

#### 7 Different Colors

each LED can be driven individually

#### 100% Oil-Tight

completely sealed enclosure

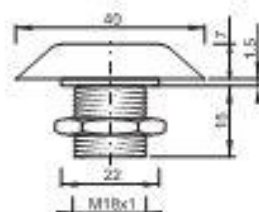
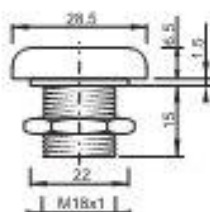
#### Constant Brightness

varying voltage has no effect

#### Compatible

Siemens  
Moeller

fits into standard Ø22.5mm holes



### SPECIFICATIONS

#### Operating Voltage

#### Current Consumption

#### Voltage Drop (Red)

#### Voltage Drop (Green)

#### Voltage Drop (Blue)

#### Operating Temperature

#### Front Window

#### Housing Material

#### Protection Class

#### Connected

#### Article Code

Terminal Block, 5-pole

Pig-Tailed Connector M8, (30cm)

Single Strands, (20cm)

PVC Cable, (200cm)

#### Multi-LED Standard

14... 30 VDC

~ 11 mA per string

~ 8 V

~ 14 V

~ 13 V

-40... +55 °C | -40 °F... +131 °F

Polycarbonate

Stainless Steel

Front: IP 68, Back: IP67, IK09

See next Pages

MLS22 T-VRGB/TB5

MLS22 T-VRGB/3P8

MLS22 T-VRGB/2F4

MLS22 T-VRGB/A2P

#### Multi-LED Hygienic

14... 30 VDC

~ 11 mA per string

~ 8 V

~ 14 V

~ 13 V

-40... +55 °C | -40 °F... +131 °F

Polycarbonate

Stainless Steel

Front: IP 68, Back: IP67, IK09

See next Pages

MLH22 T-VRGB/TB5

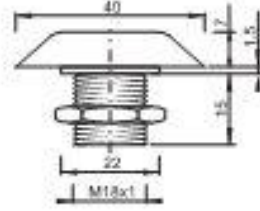
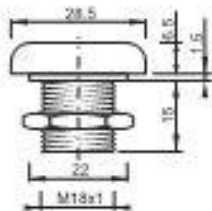
MLH22 T-VRGB/3P8

MLH22 T-VRGB/2F4

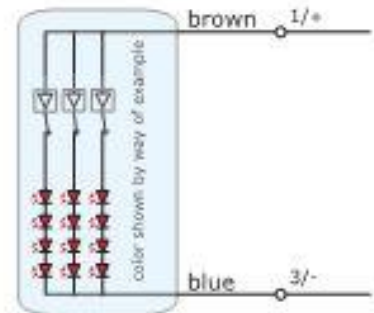
MLH22 T-VRGB/A2P

Symbol Specification Code

# DuraTouch® - Machine Operation Single Color LED-Indicator



## Schematic



### Shock Resistant

vandal-proof construction

### 5 Different Colors

maximum brightness

### 100% Oil-Tight

completely sealed enclosure

### Constant Brightness

varying voltage has no effect

### Compatible

Siemens  
Moeller

fits into standard Ø22.5mm holes

#### Single-LED Standard

14... 30 VDC  
~ 11 mA per string  
~ 8 V  
~ 14 V  
~ 13 V

-40... +55 °C | -40 °F... +131 °F

Polycarbonate

Stainless Steel

Front: IP 68, Back: IP67, IK09

See next Pages

SLS22 T-VRRR/TB5

SLS22 T-VRRR/3P8

SLS22 T-VRRR/2F4

SLS22 T-VRRR/A2P

GGG for green, YYY for yellow

BBB for blue, WWW for white

See next pages

#### Single-LED Hygienic

14... 30 VDC  
~ 11 mA per string  
~ 8 V  
~ 14 V  
~ 13 V

-40... +55 °C | -40 °F... +131 °F

Polycarbonate

Stainless Steel

Front: IP 68, Back: IP67, IK09

See next Pages

SLH22 T-VRRR/TB5

SLH22 T-VRRR/3P8

SLH22 T-VRRR/2F4

SLH22 T-VRRR/A2P

GGG for green, YYY for yellow

BBB for blue, WWW for white

These very flexible Multi-Color LED-Indicators from Xecro fit into the same mounting holes the Ø22mm DuraTouch® uses and were also used by the mechanical switches and filament lamps from Siemens® and Moeller®.

Each LED path can be driven individually to select one of 7 different colors enabling the user to display e.g.

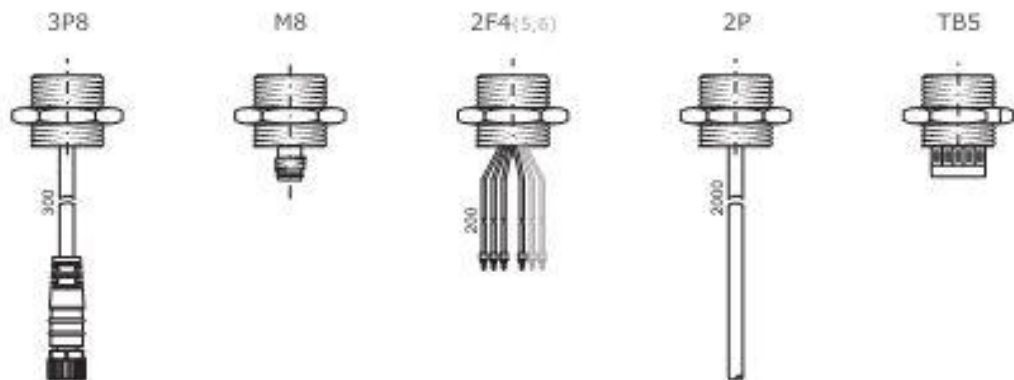
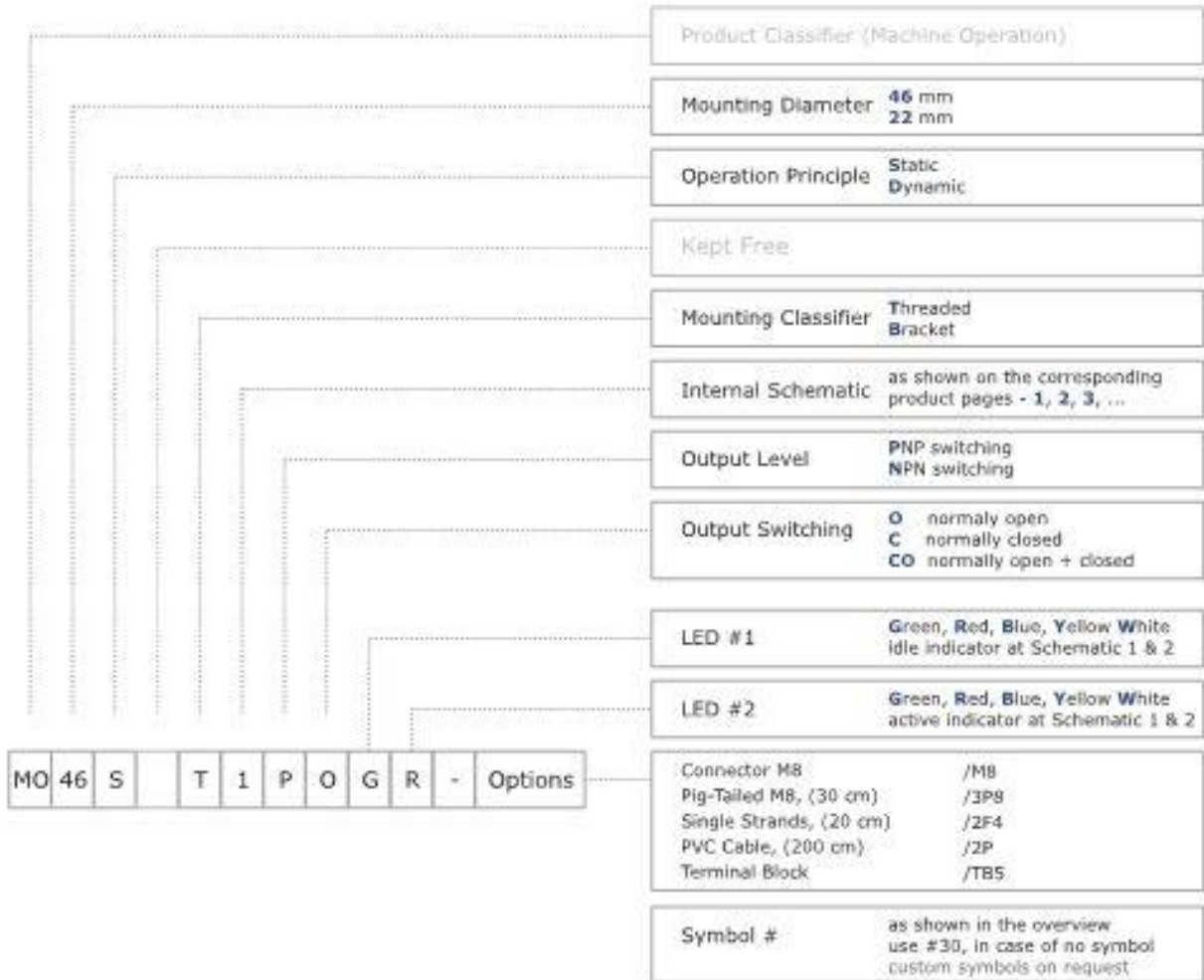
- ready
- all parts in position
- machine processing
- low part count in magazine
- error

with a single indicator.

Each indicator additionally can be upgraded with a pictogram to point the meaning of it even more.

The Single LED Indicators on the right are using 12 very bright LEDs of a single color and thereby reaching significant more brightness on standard colors.

## How to build Order Codes



Standard Pictograms

